

# LOCKR CLASSIC



**ojmar**<sup>®</sup>

INTELLIGENT LOCKING SYSTEMS



1 COIN LOCK  
FOR WET AREAS

ADMINISTRATIVE CENTRES, SWIMMING POOLS, FITNESS CENTRES, SCHOOLS ... HOW MANY PEOPLE MIGHT USE A LOCKER IN THE COURSE OF A DAY? THE SUCCESS OF OJMAR'S COIN-OPERATED LOCKS IS NOT ATTRIBUTABLE SOLELY TO THE SIMPLICITY OF THEIR DESIGN.

Our products reflect our philosophy. They have a long life, they are intended for all types of users and they cater for different demands and levels of need. This is because when we design our products, we think long term.

Our entire range of coin-operated locks is furnished with interchangeable cylinder, an important security feature in the event of key loss or theft. Coin size is not an issue either since the optional, adjustable version of the coin lock supports coins of diameters from 21mm to 28mm.

The Ojmar coin lock can be converted into a coin collect lock by simply fitting a coin collecting box to it.

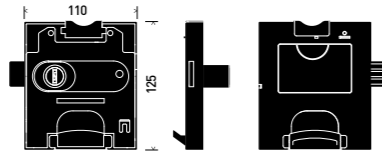


1 COIN LOCK  
FOR DRY AREAS

## COIN-OPERATED LOCKS FOR DRY AREAS

REF. 74  

The model 74 coin lock is ideal for collective-use facilities in dry areas such as schools, gyms, fitness clubs, shopping centres and the like. The interchangeable 10-wafer cylinder and reversible key provide a simple but solid and reliable solution.



MODEL	Ref. 74
<b>MAIN FEATURES</b>	
CYLINDER	10-wafer, Die cast Interchangeable Cylinder
DIFFERS	Up to 4000
KEY	Standard round head and reversible
COIN RETURN BUTTON	✓
ADJUSTABLE	✓
LGA CERTIFICATION	✓
<b>MATERIALS</b>	
LOCK BODY	Polycarbonate + ABS. High impact and torsion resistance
INTERNAL PARTS	Die cast
CYLINDER	Die cast
KEY	Nickel plated brass
SPRINGS	Stainless steel
<b>COIN</b>	
MAXIMUM DIAMETER	30 mm
MINIMUM DIAMETER	20 mm
MAXIMUM THICKNESS	3,3 mm
MINIMUM THICKNESS	1,5 mm
ACCEPTED COINS € ZONE	20cents, 50cents, 1€, 2€
ACCEPTED COINS £ ZONE	20p, 50p, 1€, 2€
ACCEPTED COINS \$ ZONE	0,25\$
<b>DIMENSIONS</b>	
LOCK BODY LENGTH	110 mm
LOCK BODY HEIGHT	125 mm
LOCK BODY THICKNESS	17,5 mm
SHOOT DIMENSIONS	25 x 5 mm
MINIMUM DOOR THICKNESS	1 mm
MAXIMUM DOOR THICKNESS	23 mm
LATCH STROKE	15 mm
FIXING HOLES	93,5 x 93,5 mm
RECOMMENDED FIXING SCREWS	Compact. DIN 7985 M5x20 Wood. Pan head POZI 40° Ø5x25. Metal. DIN 7981 Ø5,5.
KEY THICKNESS	2,5 mm
<b>MECHANICAL REQUIREMENTS</b>	
N° OF CYCLES	60,000 machine cycles according to LGA
<b>ACCESSORIES</b>	Coin collecting box Bracelet

### PRODUCT REFERENCES

REF 74	1 €	2 €	0,50 €	0,20 €	ADJUSTABLE
RIGHT	74.DB0001	74.DB0002	74.DB0003	74.DB0004	74.DB00XY
LEFT	74.IB0001	74.IB0002	74.IB0003	74.IB0004	74.IB00XY
REF 74	1€	2 €	0,50€	0,20€	ADJUSTABLE
RIGHT	74.DB0011	74.DB0012	74.DB0013	74.DB0014	74.DB00XY
LEFT	74.IB0011	74.IB0012	74.IB0013	74.IB0014	74.IB00XY
REF 74	0,25 \$	ADJUSTABLE			
RIGHT	74.DB0024	74.DB00X24			
LEFT	74.IB0024	74.IB00X24			

## COIN-OPERATED LOCKS FOR WET AREAS

REF. 75 & 76  

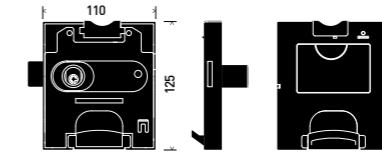
The material used in the manufacture of these coin locks are highly resistant to corrosion, making them the ideal solution for wet areas.

The stainless steel pins offer greater resistance and security than conventional brass pins.

The interchangeable cylinder is a security feature in the event of key loss or theft. The anti-reservation master key can be used in case of emergency where customers require assistance but also as an efficient means of

preventing locker reservation. It enables lockers to be opened and closed without inserting a coin, meaning that users who overstay their welcome lose their deposit and locker availability is guaranteed.

**Model 76** is supplied with a security key. The key is flat and reversible and thus pleasant and easy to use.



MODEL	Ref. 75 & 76
<b>MAIN FEATURES</b>	
CYLINDER CORE	Interchangeable solid brass core with 6 stainless steel pins
DIFFERS	Up to 1.600
ANTI-RESERVATION MASTER KEY	✓
KEY	Standard (Model 75)..... Security key (reversible, Model 76)
ANTI-BREAKAGE SYSTEM	✓
COIN RETURN BUTTON	✓
ADJUSTABLE	✓
LGA CERTIFICATION	✓
<b>MATERIALS</b>	
LOCK BODY	Polycarbonate + ABS. High impact and torsion resistance
INTERNAL PARTS	Die cast
CYLINDER CORE	Chrome plated brass
KEY	Nickel plated brass (Model 75) ... Nickel plated argentan alloy (Model 76)
PINS	Stainless steel
<b>COIN</b>	
MAXIMUM DIAMETER	30 mm
MINIMUM DIAMETER	20 mm
MAXIMUM THICKNESS	3,3 mm
MINIMUM THICKNESS	1,5 mm
ACCEPTED COINS € ZONE	20cents, 50cents, 1€, 2€
ACCEPTED COINS £ ZONE	20p, 50p, 1€, 2€
ACCEPTED COINS \$ ZONE	0,25\$
<b>DIMENSIONS</b>	
LOCK BODY LENGTH	110 mm
LOCK BODY HEIGHT	125 mm
LOCK BODY THICKNESS	17,5 mm
SHOOT DIMENSIONS	25 x 5 mm
MINIMUM DOOR THICKNESS	1 mm
MAXIMUM DOOR THICKNESS	23 mm
LATCH STROKE	15 mm
FIXING HOLES	93,5 x 93,5 mm
RECOMMENDED FIXING SCREWS	Compact. DIN 7985 M5x20 Wood. Pan head POZI 40° Ø5x25. Metal. DIN 7981 Ø5,5.
KEY THICKNESS	2,5 mm
<b>MECHANICAL REQUIREMENTS</b>	
N° OF CYCLES	60,000 machine cycles according to LGA
<b>ACCESSORIES</b>	Coin collecting box Bracelet

### PRODUCT REFERENCES

REF 75	1 €	2 €	0,50 €	0,20 €	ADJUSTABLE	REF 76	1 €	2 €	0,50 €	0,20 €	ADJUSTABLE
RIGHT	75.DB0001	75.DB0002	75.DB0003	75.DB0004	75.DB00XY	RIGHT	76.DB0001	76.DB0002	76.DB0003	76.DB0004	76.DB00XY
LEFT	75.IB0001	75.IB0002	75.IB0003	75.IB0004	75.IB00XY	LEFT	76.IB0001	76.IB0002	76.IB0003	76.IB0004	76.IB00XY
REF 75	1€	2 €	0,50€	0,20€	ADJUSTABLE	REF 76	1€	2 €	0,50€	0,20€	ADJUSTABLE
RIGHT	75.DB0011	75.DB0012	75.DB0013	75.DB0014	75.DB00XY	RIGHT	76.DB0011	76.DB0012	76.DB0013	76.DB0014	76.DB00XY
LEFT	75.IB0011	75.IB0012	75.IB0013	75.IB0014	75.IB00XY	LEFT	76.IB0011	76.IB0012	76.IB0013	76.IB0014	76.IB00XY
REF 75	0,25 \$	ADJUSTABLE									
RIGHT	75.DB0024	75.DB00X24									
LEFT	75.IB0024	75.IB00X24									
REF 76	0,25 \$	ADJUSTABLE									
RIGHT	76.DB0024	76.DB00X24									
LEFT	76.IB0024	76.IB00X24									



CARD LOCK  
DRY AREA USE

A SPORTS COMPLEX IN A VANGUARD  
WORKPLACE. OJMAR'S CARD LOCK PROVIDES  
ADDED VALUE. IT IS A CONCEPT THAT BRINGS  
TOGETHER DIFFERENT IDEAS.

Our card locks can be exclusively card-operated, enabling members of an establishment to use lockers without having to supply a coin. Alternatively, in the case of facilities with both members and occasional users, our card locks can combine operation by cards and coins alike. Members access lockers with their cards and occasional users by inserting a coin. Card locks also prevent locker reservation because cards always have to be retrieved by users before they leave the premises.

To avoid use by unauthorised persons, the card only works when punched with an exclusive card puncher available only from Ojmar.

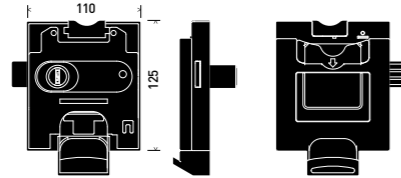




CARD OR COIN LOCK  
WET AREA USE

## CARD-OPERATED LOCKS FOR DRY AREAS

REF. 74  +  

Card lock model 74 is designed for dry facilities where users have a card-based identification or access system: schools, gyms, fitness clubs, etc. It provides a solid and reliable solution.



<b>MODEL</b>	Ref. 74			
<b>MAIN FEATURES</b>				
CYLINDER	10-wafer, Zamak Interchangeable Cylinder.			
DIFFERS	Up to 4.000			
KEY	Standard round head and reversible			
LGA CERTIFICATION	✓			
<b>MATERIALS</b>				
LOCK BODY	Polycarbonate + ABS. High impact and torsion resistance			
INTERNAL PARTS	Die cast			
CYLINDER	Die cast			
KEY	Nickel plated brass			
SPRINGS	Stainless steel			
<b>CARD</b>				
DIMENSIONS	According to Standard ISO 7810			
INSERTION	Frontal			
PUNCH	Special Ojmar punching machine. Punch position compatible with chip cards			
<b>DIMENSIONS</b>				
LOCK BODY LENGTH	110 mm			
LOCK BODY HEIGHT	125 mm			
LOCK BODY THICKNESS	17,5 mm			
SHOOT DIMENSIONS	25 x 5 mm			
MINIMUM DOOR THICKNESS	1 mm			
MAXIMUM DOOR THICKNESS	23 mm			
LATCH STROKE	15 mm			
FIXING HOLES	93,5 x 93,5 mm			
RECOMMENDED FIXING SCREWS	Compact. DIN 7985 M5x20 Wood. Pan head POZI 40° Ø5x25. Metal. DIN 7981 Ø5,5.			
KEY THICKNESS	2,5 mm			
<b>MECHANICAL REQUIREMENTS</b>				
N° OF CYCLES	60,000 machine cycles according to LGA			
<b>ACCESSORIES</b>	Bracelet Card Puncher			
<b>OPTION</b>	Combined card / coin lock			
 + 				
<b>PRODUCT REFERENCES</b>				
<b>REF 74</b>	<b>CARD</b>	<b>PAPER CARD</b>	<b>CARD + COIN</b>	<b>PAPER CARD +COIN</b>
RIGHT	74.DB00T	74.DB00TP	74.DB00TYY	74.DB00TPYY
LEFT	74.IB00T	74.IB00TP	74.IB00TYY	74.IB00TPYY

## CARD-OPERATED LOCKS FOR WET AREAS

REF. 75 & 76  +   

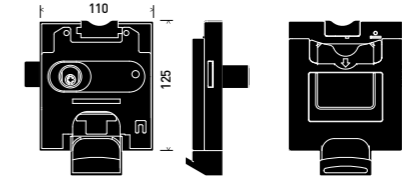
The material used in the manufacture of these coin locks are highly resistant to corrosion, making them the ideal solution for wet areas.

The stainless steel pins offer greater resistance and security than conventional brass pins.

The interchangeable cylinder is a security feature in the event of key loss or theft. The anti-reservation master key can be used in case of emergency where customers require assistance but also as an efficient means of

preventing locker reservation. It enables lockers to be opened and closed without inserting a coin, meaning that users who overstay their welcome lose their deposit and locker availability is guaranteed.

**Model 76** is supplied with a security key. The key is flat and reversible and thus pleasant and easy to use.



<b>MODEL</b>	Ref. 75 & 76			
<b>MAIN FEATURES</b>				
CYLINDER CORE	Interchangeable solid brass core with 6 stainless steel pins			
DIFFERS	Up to 1.600			
ANTI-RESERVATION MASTER KEY	✓			
KEY	Standard (Model 75)..... Security key (reversible, Model 76)			
ANTI-BREAKAGE SYSTEM	✓			
LGA CERTIFICATION	✓			
<b>MATERIALS</b>				
LOCK BODY	Polycarbonate + ABS. High impact and torsion resistance			
INTERNAL PARTS	Die cast			
CYLINDER CORE	Chrome plated brass			
KEY	Nickel plated brass (Model 75) ... Nickel plated argentan alloy (Model 76)			
PINS	Stainless steel			
<b>CARD</b>				
DIMENSIONS	According to Standard ISO 7810			
INSERTION	Frontal			
PUNCH	Special Ojmar punching machine. Punch position compatible with chip cards			
<b>DIMENSIONS</b>				
LOCK BODY LENGTH	110 mm			
LOCK BODY HEIGHT	125 mm			
LOCK BODY THICKNESS	17,5 mm			
SHOOT DIMENSIONS	25 x 5 mm			
MINIMUM DOOR THICKNESS	1 mm			
MAXIMUM DOOR THICKNESS	23 mm			
LATCH STROKE	15 mm			
FIXING HOLES	93,5 x 93,5 mm			
RECOMMENDED FIXING SCREWS	Compact. DIN 7985 M5x20 Wood. Pan head POZI 40° Ø5x25. Metal. DIN 7981 Ø5,5.			
KEY THICKNESS	2,5 mm			
<b>MECHANICAL REQUIREMENTS</b>				
N° OF CYCLES	60,000 machine cycles according to LGA			
<b>ACCESSORIES</b>	Bracelet Card Puncher			
<b>PRODUCT REFERENCES</b>				
<b>REF 75</b>	<b>CARD</b>	<b>PAPER CARD</b>	<b>CARD + COIN</b>	<b>PAPER CARD +COIN</b>
RIGHT	75.DB00T	75.DB00TP	75.DB00TYY	75.DB00TPYY
LEFT	75.IB00T	75.IB00TP	75.IB00TYY	75.IB00TPYY
<b>REF 76</b>	<b>CARD</b>	<b>PAPER CARD</b>	<b>CARD + COIN</b>	<b>PAPER CARD +COIN</b>
RIGHT	76.DB00T	76.DB00TP	76.DB00TYY	76.DB00TPYY
LEFT	76.IB00T	76.IB00TP	76.IB00TYY	76.IB00TPYY

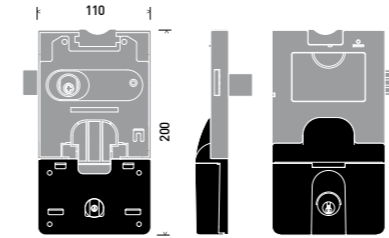
THE COIN COLLECTING BOX CONVERTS  
THE OJMAR COIN LOCK INTO A COIN  
COLLECT LOCK



## COIN COLLECTING BOX

REF. 47 

The coin collecting box can be fitted to any Ojmar coin lock (except card locks). It is manufactured using corrosion-resistant materials and comes equipped with a special key profile.



### MODEL

#### MATERIALS

BOX	Zamak
FINISH	Epoxy paint
CYLINDER	Chrome plated brass

#### MEASUREMENTS OF COIN COLLECTING BOX

LENGTH	110 mm
HEIGHT	70 mm
THICKNESS	33 mm
APPROXIMATE CAPACITY	50 coins
DISTANCE BETWEEN FIXING HOLES	87 x 50 mm
FIXING HOLES	Ø 4,5 mm Pan head

#### MEASUREMENTS OF LOCK WITH COIN COLLECTING BOX

LENGTH	200 mm
HEIGHT	110 mm
THICKNESS	33 mm

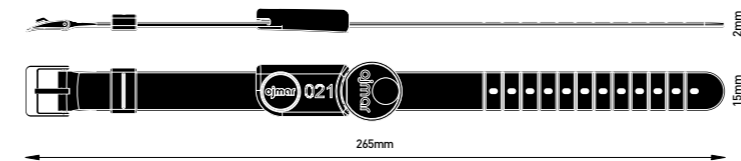
PRODUCT REFERENCES	47.G0002CR
--------------------	------------



## BRACELET



Bracelets for any key profile. Of closed, adjustable design and humidity – resistant our key bracelets are pleasant and easy to use. They come with a key protection hood.



### MAIN FEATURES

NUMBERING OPTIONS 3 or 4 digits

### MATERIALS

BRACELET Polyurethane (TPU)  
 CLASP Stainless steel  
 PROTECTOR ABS

### DIMENSIONS

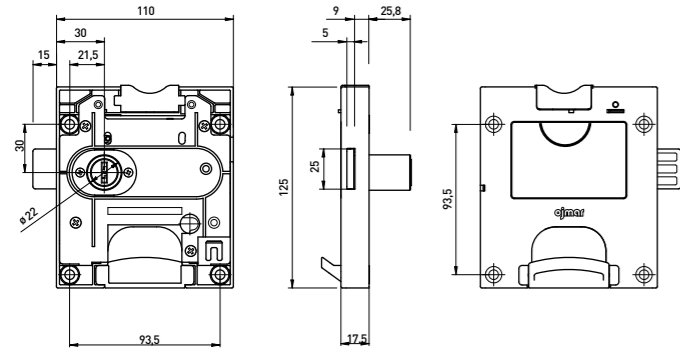
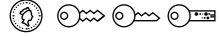
LENGTH 265 mm  
 HEIGHT 15 mm  
 THICKNESS 2 mm

### COLORS

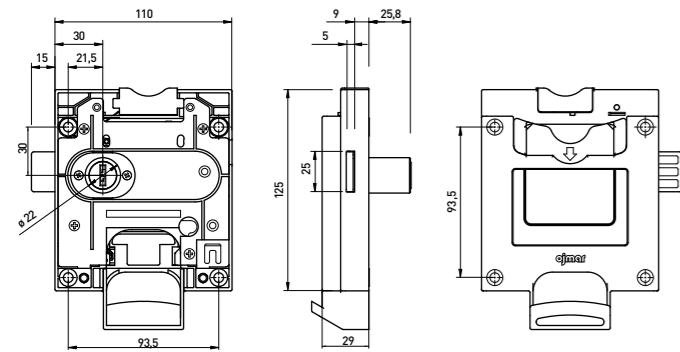
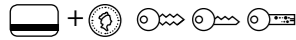
● ● ● ● ● ●  
 Blue  
 Black  
 Green  
 Yellow  
 Grey  
 Red

TECHNICAL DRAWINGS

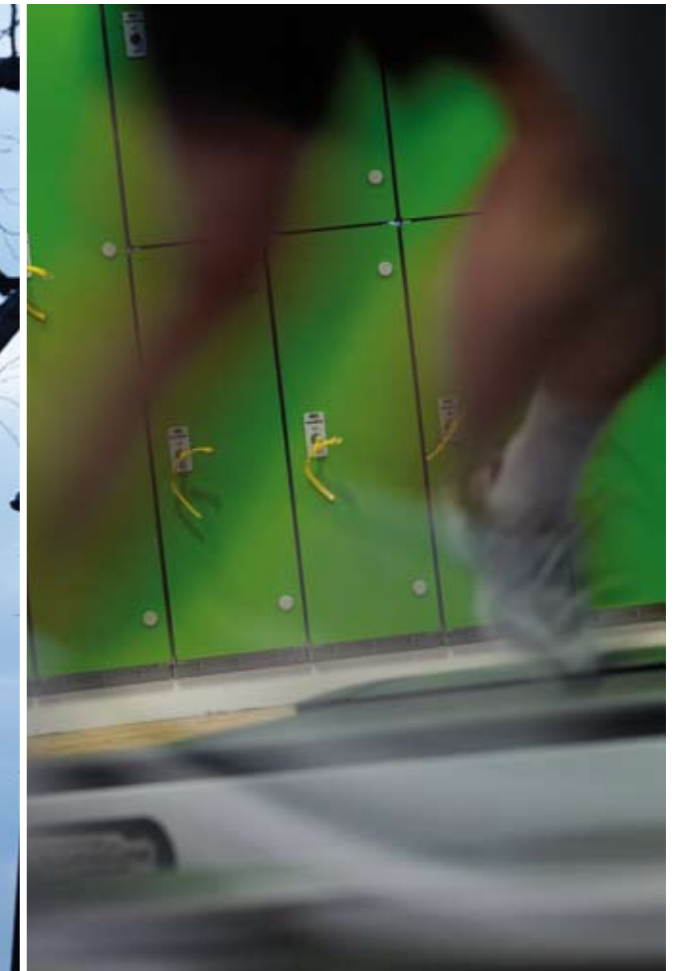
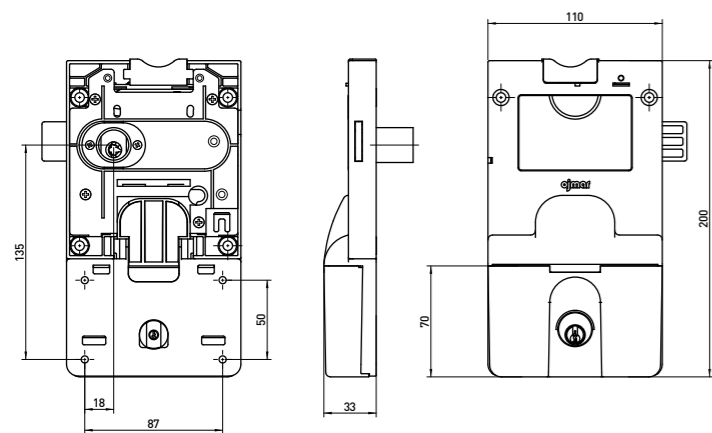
1 COIN LOCK



CARD LOCK



LOCK WITH COIN COLLECTING BOX







INTELLIGENT LOCKING SYSTEMS

Polígono Industrial de Lerun, s/n  
20870 Elgoibar - Spain  
T. +34 943 748484  
[www.ojmar.com](http://www.ojmar.com)

