

# Product Guide

Cash Safes & Vaults

Convex Security Mirrors

Fire Safes & Cabinets

Gun Cabinets

Key Control Systems

Key Reels and Retractors

Master Lock®

Security Cabinets

Strongrooms



# WELCOME

---

## A leading provider of physical security products for 50 years

Securikey is a trusted partner of many UK companies and institutions, supplying a comprehensive range of innovative security and safety products which meet the requirements of even the most demanding of environments.

Combining our technical expertise and knowledge of security with continued evaluation of customer experience and development of our products, we have provided peace of mind and protection to people, buildings and businesses alike; from the smallest shop to the largest retail store; workshops to factories; Local Authorities to Central Government Agencies; Financial Institutions to NHS Trusts, Schools, Colleges and Universities.

---



## Securikey.co.uk

The Securikey website features a design focused on user friendly navigation, allowing easy product selection, whilst providing in-depth technical support in both video and printable media. For more detailed information about the company and our products, including **downloadable brochures, price lists, cash and fire ratings, installation guides** and details of your nearest Securikey stockist, please visit **securikey.co.uk**. The website is just one method for potential customers to research our products. We welcome you to talk to us directly if the topic is of a more secure or sensitive nature, so please call Securikey on 01252 311888.

---

### Support

The support section of our website contains over 80 videos showcasing many of our products providing a unique video presentation of operation and programming of our more complex products. These are hosted on YouTube as well as the Securikey website.

### Where to buy:

Securikey products can be purchased from our network of distributors and are available from both the high street (for those customers who like to 'try before they buy') and via selected website retailers. For more details please visit **securikey.co.uk**.

### Installation:

Our specialist network of installers is able to deliver and fix any of our safes/ cabinets within the UK mainland. The majority of these installations can be carried out by the completion of a simple risk assessment form downloadable from our website **securikey.co.uk**. More complex situations may require a site survey.



## Contents

<b>KEY CONTROL SYSTEMS</b>	<b>04</b>	<b>FIRE SAFES &amp; CABINETS</b>	<b>24</b>	<b>KEY REELS &amp; RETRACTORS</b>	<b>38</b>
High Security Key Filing Systems	05	Fire Stor	25	Super 48	39
Electronic Key Cabinets	06	Master Lock® Fireproof Chests & Fire Resistant Filing Cabinets	26	Original	39
Key Vault	07	Master Lock® Digital Fire Safes	27	Karabiner	40
System Cabinets	08	<b>SECURITY CABINETS &amp; BOXES</b>	<b>28</b>	Duty Gear	40
Specialist Systems	09	Medical & Pharmaceutical Storage	29	Sidekick, Midi & ID	41
<b>CASH SAFES &amp; VAULTS</b>	<b>10</b>	Secure Stor	30	T-Reign Light Duty	41
Micro Vault	11	Gun & Ammunition Cabinets	31	T-Reign Standard & Heavy Duty	42
Euro Vault	12	Post Boxes	32	T-Reign Extra Heavy Duty	42
Mini Vault Silver S2	13	<b>CONVEX MIRRORS</b>	<b>33</b>	ProCase & ProHolster	43
Mini Vault Gold FR S2	14	Interior Convex Mirrors	34	ToolMate Dropped Object Protection	44
Euro Grade 0	15	Interior Hemisphere Mirrors	34	<b>LOCKING OPTIONS</b>	<b>45</b>
Euro Grade 1	16	Exterior Convex Mirrors	35	<b>ACCREDITATIONS &amp; TESTING</b>	<b>46</b>
Euro Grade 2	17	Food Processing & Production Lines	35		
Euro Grade 3	18	Traffic Mirrors	36		
Euro Grade 4 & 5	19	Inspection & Testing Mirrors	36		
Underfloor & DIY Safes	20	Institutional & Anti-Vandal	37		
Safeguard & Protector	21				
Deposit & Bespoke Safes	22				

Domestic, Commercial  
and Industrial Environments



“Tested and certified control  
for up to 2160 keys”



High Security 100

# KEY CONTROL SYSTEMS

Effective key management and secure storage is an essential part of any organisation's security strategy. Whether you need a simple key cabinet, a mechanised key control system or a sophisticated key issue and monitoring system, our range of high quality key storage cabinets help to maintain total accountability of large quantities of keys and help prevent unauthorised access within domestic, commercial and industrial environments.



# High Security Key Filing Systems

## The ultimate in Key Control

Our range of high security key control systems, the most comprehensive available, are manufactured utilising the same technology as our cash safes and tested to the highest standards. This makes them ideal for safeguarding against lost or stolen keys even within high security commercial applications, such as the UK's Prestige Motor Dealers, Police Stations and Banks.



Euro Graded safe with bespoke key rails



BC

## High Security Systems

Model	External Dimensions (mm)			Weight (kg)	Holds up to
	Height	Width	Depth		
High Security 100	636	460	120	35	100 keys
High Security 200	636	460	200	46	200 keys
High Security 300	636	460	300	53	300 keys

## HIGH SECURITY:

- Body constructed from 3mm steel.
- 6mm slab door.
- Three-way locking mechanism with 20mm diameter bolts.
- Features include adjustable hook bars, clever key tags and index control.
- Deeper models are available for the storage of bunches of keys.

## BESPOKE KEY SECURITY:

- This unit combines the security of a graded safe with our telescopic panels and additional storage. Securikey are able to design and manufacture to suit specific requirements.

## FLOOR STANDING SYSTEMS:

- Based upon the Fire Stor (page 25) our Floor Standing systems are larger capacity key cabinets. Their key panels are on telescopic slides for easy access and storage.
- These units are AiS and SBD approved.

Multiple locking options (see page 45)



Floor Standing System 960



BC



Light Fire Protection

## High Security Deep Systems

Model	External Dimensions (mm)			Weight (kg)	Holds up to
	Height	Width	Depth		
High Security Deep 50	635	455	180	38	50 bunches
High Security Deep 100	1,100	455	180	62	100 bunches

## Floor Standing Systems

Model	External Dimensions (mm)			Weight (kg)	Holds up to
	Height	Width	Depth		
Floor Standing 960	860	600	520	142	960 keys
Floor Standing 1560	1,220	600	520	182	1,560 keys
Floor Standing 2160	1,580	600	520	230	2,160 keys



# High Security Electronic Key Cabinets

## Electronic Key Control

Featuring a slimline keypad, LED display and an after hours deposit aperture which is ideal for car hire companies, garages and estate agents.



Key Cabinet 70

- Auditable lock with key override function.
- Pop-open door with spring hinge removes the need for a separate handle.
- Deposit aperture with internal carpeted scoop to receive keys/car fobs.
- Body constructed from 2mm steel with 5mm slab door.
- Light grey exterior paintwork, internal light and red carpet.
- Available in three sizes.
- Index card, numbered hookbars and key tags.
- Ties in with all System Cabinets and other Key Cabinets in the Key Control System range.



Internal key scoop



Removable Index sheet



Key Cabinet 120

## High Security Electronic Key Cabinets

Model	External Dimensions (mm)			Weight (kg)	Holds up to
	Height	Width	Depth		
Key Cabinet Electronic 38	340	360	120	12.5	38 keys
Key Cabinet Electronic 70	450	420	120	17	70 keys
Key Cabinet Electronic 120	670	420	120	25.5	120 keys



# Key Vault

## Advanced key management

Designed to meet the requirements of insurance companies in the control, tracking and security of keys associated with risk to valuables or property, our range of Key Vaults offers double the security and strength provided by our system cabinets.



Key Vault 400



## Key Vault

Model	External Dimensions (mm)			Weight (kg)	Holds up to
	Height	Width	Depth		
Key Vault 30	305	230	70	6	30 keys
Key Vault 48	355	300	80	8	48 keys
Key Vault 100	550	380	80	13	100 keys
Key Vault 200	550	380	140	20	200 keys
Key Vault 400	550	730	140	34	400 keys
Key Vault 600	550	730	205	43	600 keys

## Deep Key Vault

Model	External Dimensions (mm)			Weight (kg)	Holds up to
	Height	Width	Depth		
Key Vault 48 Deep	355	300	140	8	48 bunches
Key Vault 100 Deep	550	380	140	14	100 bunches
Key Vault 200 Deep	550	730	140	30	200 bunches

- Constructed from 2.5mm fabricated steel.
- Flush closing door for added security.
- Supplied as standard with Euro Profile cylinder lock enabling integration into a buildings master key system.
- Key Vaults are supplied with adjustable hook bars, matching key tags and removable control index.
- Deeper models are available for storage of bunches of keys.
- Ideal for commercial use.
- Includes security loops to secure keys that require clear evidence of tampering or removal.

Multiple locking options (see page 45)



Key Vault with Push Button Combination Lock

## Key Vault Padlock

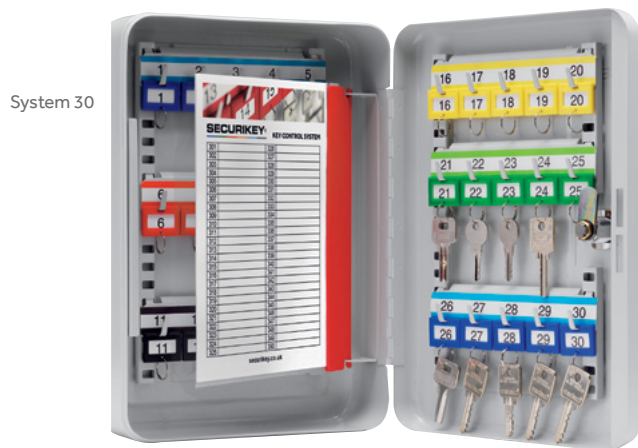
Model	External Dimensions (mm)			Weight (kg)	Holds up to
	Height	Width	Depth		
Key Vault 50 Padlocks	550	380	140	14	50 padlocks
Key Vault 100 Padlocks	550	730	140	30	100 padlocks



# System Cabinets

## Affordable key control

These cabinets are best suited to domestic and commercial use for key control and tracking. Constructed from pressed and folded steel and secured with a choice of multiple locking options, the cabinets provide the space to store and track up to 600 keys and include adjustable hook bars to accommodate different key lengths. Each model has a removable control index for out-of-hours peace of mind and colour-coded hook bars and tags to ensure quick identification, both of which are numbered. For larger requirements, our range of deep system cabinets provide the extra space required to accommodate bunches or a mixture of bunches and individual keys.



System 30



## System Cabinets

Model	External Dimensions (mm)			Weight (kg)	Holds up to
	Height	Width	Depth		
System 20 <sup>1</sup>	260	185	80	2	20 keys
System 30	305	215	80	3	30 keys
System 48	355	300	80	4	48 keys
System 64	450	300	80	5	64 keys
System 100	550	380	80	8	100 keys
System 200	550	380	140	14	200 keys
System 300	550	380	205	18	300 keys
System 400	550	730	140	23	400 keys
System 600	550	730	205	34	600 keys

<sup>1</sup>No control index.

- Includes security loops to secure keys that require clear evidence of tampering or removal.

## Multiple locking options (see page 45)



System 50 Key View (page 9)



System 100

## Deep Systems

Model	External Dimensions (mm)			Weight (kg)	Holds up to
	Height	Width	Depth		
System 35 Deep <sup>1</sup>	320	245	100	3	35 bunches
System 48 Deep	355	300	120	5	48 bunches
System 100 Deep	550	380	140	8	100 bunches
System 150 Deep	550	380	205	14	150 bunches
System 200 Deep	550	730	140	18	200 bunches

<sup>1</sup>Available as key locking only.



## Euro Cylinder Systems

Model	External Dimensions (mm)			Weight (kg)	Holds up to
	Height	Width	Depth		
System 48 Euro	355	300	80	4	48 keys
System 100 Euro	550	380	80	8	100 keys





# Specialist Systems

Having many of the same features and benefits of our System cabinets, this specialist range of products has been designed to suit specific applications. Examples of this are cabinets designed to house padlocks and keys used to isolate switchgear or machinery, clear fronted cabinets for instant visual check of all stored keys and emergency key boxes to house a restricted key near to a locked door in case of emergency.



Emergency Key Box Range



## Emergency Key Holding Boxes

Model	External Dimensions (mm)			Weight (kg)	No. of Hooks
	Height	Width	Depth		
K0 <sup>1</sup>	153	120	40	1	1
K1 <sup>2</sup>	153	120	40	1	1
K1SF - Solid Front <sup>2</sup>	153	120	40	1	1
K1PHZ - To suit Euro Cylinder	155	123	50	1.3	1
K1L0-Safety Lockout <sup>2</sup> 12 Padlock holes	155	155	63	1	3
K1L05 <sup>2</sup> 10 Padlock holes	155	120	63	1	1

<sup>1</sup> Has no lock, but provision for a seal. Supplied with a hammer and chain plus 2 seals.

<sup>2</sup> Fitted with cylinder lock.



B C D F

## Padlock Security Systems

Model	External Dimensions (mm)			Weight (kg)	Holds up to
	Height	Width	Depth		
System 24 Padlock <sup>1</sup>	355	300	120	5	24 padlocks
System 50 Padlock <sup>1</sup>	550	380	140	10	50 padlocks
System 100 Padlock <sup>1</sup>	550	730	140	17	100 padlocks

<sup>1</sup> Padlocks not supplied.

### PADLOCK SECURITY SYSTEMS:

- Designed to house padlocks and keys to isolate switchgear or machinery.
- Available in 3 sizes.
- Holds up to 100 locks.
- Fitted with extra deep hooks, staggered and spaced 54mm apart.

### KEY VIEW SYSTEMS:

- Key View has the same features and benefits as our System Key Cabinets.
- Key View cabinets have a plexi-glass front for easy viewing of stored keys.
- Holds up to 50 keys.

### EMERGENCY KEY HOLDING BOXES:

- Steel construction with 2mm break glass or solid front.
- Available in 5 models.

Multiple locking options (see page 45)



D F

## Portable Key Systems

Model	External Dimensions (mm)			Weight (kg)	Holds up to
	Height	Width	Depth		
System 20 Portable <sup>1</sup>	260	185	80	2	20 keys
System 30 Portable	305	215	80	3	30 keys

<sup>1</sup> No control index



D F

## Key View Systems

Model	External Dimensions (mm)			Weight (kg)	Holds up to
	Height	Width	Depth		
System 24 Key View	355	300	80	4	24 keys
System 32 Key View	450	300	80	5	32 keys
System 40 Key View	550	380	80	6	40 keys
System 50 Key View	550	380	80	6	50 keys



“Bringing piece of mind to  
any environment”



# CASH SAFES & VAULTS

Our range of freestanding safes offers the most comprehensive selection whilst maintaining clear areas of speciality. Each safe is given a cash rating depending on its ability to resist attack, which is designed to help you choose the model that best meets your needs. Our Euro Graded safes offer maximum protection with full VdS Test House approval and provides a robust solution for storing money and valuables in either domestic or commercial environments.



## Micro Vault (£1,000 cash rating)\*

A compact and affordable option, the Micro Vault provides a cash rating of up to £1,000 and will also provide valuables cover of up to £10,000. This rule (x10) can be applied to the safes in all of the Securikey ranges.

Perfect for domestic environments like home offices where cost and size are paramount, the Micro Vault is available in a discreet grey powder-coated paint finish with red interior carpeted base as standard.

The Micro Vault 2 with a removable shelf can accommodate A4 documents. This larger size is fitted with a choice of electronic lock or Euro Profile cylinder for those customers who wish to integrate their safe and house keys.

### ELECTRONIC MODEL:

- With LED display.
- Locking is via an anti-bump solenoid lock with soft touch keypad.
- An override key and master code ensures emergency entry at all times.
- 4 x AA Batteries supplied.

### KEY LOCK MODEL:

- Supplied with Euro Profile 5 pin cylinder, 40mm in length, along with 2 keys.

Body thickness of 2mm and 5mm steel door with 20mm hardened steel locking bolts.

Available in 2 sizes.



Micro Vault 2 Electronic



Micro Vault 2



£1,000

### Micro Vault

Model	External Dimensions (mm)			Internal Dimensions (mm)			Weight (kg)	Volume (l)	Shelf
	Height	Width	Depth	Height	Width	Depth			
Micro Vault 1 Electronic	200	310	200	195	305	139	6.9	8	-
Micro Vault 2 Electronic	250	350	250	245	345	189	10.1	16	1
Micro Vault 2 Key	250	350	250	245	345	189	10.1	16	1

\*Insurance ratings may vary dependant on risk & location. Please check with your insurers.



# Euro Vault

(£1,500 cash rating)\*

Utilizing the same build quality as our Mini Vault range these safes will take a laptop, cash drawer, box file or valuables and are available with either a motorised electronic lock with keypad and integrated light for the convenience of keyless entry or Euro Profile Cylinder, for those customers who wish to integrate their safe with house or business security arrangements. Perfect for any situation where cost and flexibility are paramount. Optional hotel mode is perfect for commercial rental when included in hotel rooms or serviced apartments.



Euro Vault Range



£1,500

## Euro Vault

### KEY LOCK MODEL:

- Manufactured with a 2mm body and 4mm anti-budgeon flush fit door, with 20mm hardened steel locking bolts.
- Supplied with Euro Profile half cylinder. 40mm length.

### ELECTRONIC MODEL:

- Locking is via a motorised lock with keypad.
- An override key and master code ensures emergency entry at all times.

### GAS STRUT ELECTRONIC:

- Designed to allow installation in areas with limited access, this unit has a larger door and integrated light.
- Hinged door with twin gas strut assistance.
- Locking is via a motorised lock with keypad.

### DRAWER SAFE:

- Available in 2 sizes that are perfect for fitted furniture.
- Motorised electronic locking.
- Integrated light.



Euro Vault Electronic Drawer

Model	External Dimensions (mm)			Internal Dimensions (mm)			Weight (kg)	Volume (l)
	Height	Width	Depth	Height	Width	Depth		
Euro Vault Key	200	500	400	195	495	350	17	34
Euro Vault Electronic	200	500	400	195	495	350	17	34
Euro Vault Gas Strut	150	400	350	95	395	345	12	13
Euro Vault 12L Drawer	205	400	370	135	305	295	14	12
Euro Vault 17L Drawer	200	510	380	140	405	305	18	17

\*Insurance ratings may vary dependant on risk & location. Please check with your insurers.



# Mini Vault Silver S2

(£4,000 cash rating)

The Mini Vault Silver is ideal for the safekeeping of cash and valuables. Whilst the manufacturing techniques used provide a robust unit for domestic and commercial applications, its internal fittings are those you would expect to protect delicate valuables such as watches, jewellery and electronic tablets. This protection is achieved by utilising an anti-bludgeon laser cut door (to prevent prying and chisel attack) mounted on concealed hinges and hardened steel plates to protect all vulnerable areas. Both key and electronic lock are tested and certified to EN14450-S2.

- Manufactured with a 4mm body and 8mm anti-bludgeon flush fit door, with 25mm hardened steel locking bolts.
- Available in 4 sizes, plus 2 deposit options.
- A choice of key or electronic locking mechanisms, the electronic option offers changeable codes, low power warning and LED indicators.
- All models have felt-lined walls, thick foam base pad, jewellery shelf\* and battery operated motion sensitive light.
- Mini Vault 3 has been designed to accommodate a cash till or jewellery drawer with a width of 410mm.

Deposit options available (see page 23)



Mini Vault Silver S2 Range



Single user code with master override and wrong code penalty



B.L E4,000

## Mini Vault Silver

Model	External Dimensions (mm)			Internal Dimensions (mm)			Weight (kg)	Volume (l)	Shelves
	Height	Width	Depth	Height	Width	Depth			
Mini Vault 0	250	374	274	240	354	210	23	18	–
Mini Vault 1	294	374	325	282	354	260	29	26	1
Mini Vault 2	532	374	425	522	354	360	52	67	2
Mini Vault 3	470	435	405	455	420	355	50	68	1

\*Where applicable • Keypad and handle increase depth by 35mm



# Mini Vault Gold FR S2

(£4,000 cash rating)

The Mini Vault Gold FR is ideal for the safekeeping of documents, valuables and cash. Whilst the manufacturing techniques used are intrinsically the same as Mini Vault Silver the FR model benefits from a double-walled construction, with a fire-resistant barrier material to DIN 4102. The inclusion of this second level of protection gives the FR model light fire protection. All models are tested and certified to EN14450-S2.



- Combined body thickness of 6mm, an 8mm anti-bludgeon door with 25mm hardened steel locking bolts.
- Available in 4 sizes.
- Choice of key or electronic locking mechanisms. The electronic options offer changeable codes, multiple users, low power warning and LED indicators.
- All models include jewellery shelf\* and battery operated motion sensitive light, fixing bolts, batteries and operating instructions.



Concealed Hinge & Dog Bolt



Mini Vault Gold FR S2 range



BL



£4,000

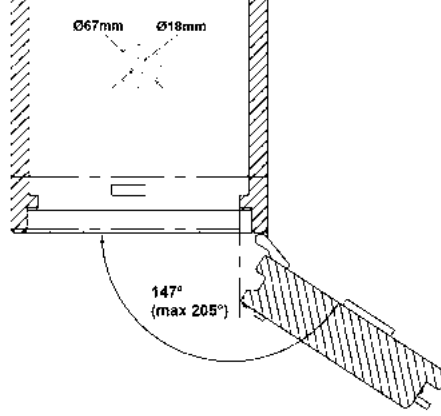


Light Fire Protection

## Mini Vault Gold FR S2

Model	External Dimensions (mm)			Internal Dimensions (mm)			Weight (kg)	Volume (l)	Shelves
	Height	Width	Depth	Height	Width	Depth			
Mini Vault 0 FR	250	374	274	138	304	168	26	7	–
Mini Vault 1 FR	294	374	325	182	304	220	32	12	1
Mini Vault 2 FR	532	374	425	420	304	320	58	41	2
Mini Vault 3 FR	470	435	405	350	360	305	55	38	1

\*Where applicable • Keypad and handle increase depth by 35mm



# Euro Grade 0 (£6,000 cash rating)\*

Constructed to exceed the criteria laid down by the insurance and security industry, these Euro Grade '0' safes are also designed to blend in with today's modern environments, a subtle combination of materials and components that function well beyond expectations.



- £6,000 overnight cash cover (£60,000 valuables).\*
- Fire resistant door seal and base fixing point with rear fixing option included as standard. Tested to BS476-20/EN1363-1.
- Manufactured in accordance with EN1143-1 and independently tested and certified by VdS test house.
- 3-way square locking bolt work, with continuous hinge side protection.
- Door opened to 205° for maximum access.
- Fitted with VdS class 1 double bitted safe lock & 2 keys.
- Optional combination or electronic locking available.
- Internal door pan is locked to prevent tampering.
- Supplied with adjustable (50mm intervals)/removable shelf.

**Multiple locking options (see page 45)**  
**Deposit options (see page 22)**



Adjustable Shelf



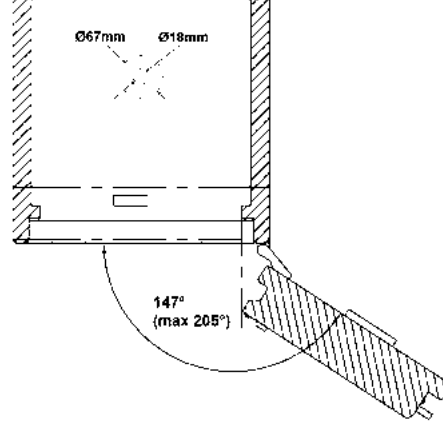
Electronic Lock Option



## Euro Grade 0 Single Key Lock

Model	External Dimensions (mm)			Internal Dimensions (mm)			Weight (kg)	Volume (l)	Lever Arch Files	Shelves
	Height	Width	Depth <sup>1</sup>	Height	Width	Depth				
0015 <sup>2</sup>	395	325	300	334	275	180	72	17	–	1
0025 <sup>2</sup>	395	405	345	334	355	225	91	27	–	1
0035 <sup>2</sup>	395	405	425	334	355	305	105	36	4	1
0055 <sup>2</sup>	570	405	425	509	355	305	135	55	4	1
0085	570	505	495	509	455	375	172	87	6	1
0095 <sup>3</sup>	755	505	425	694	455	305	192	96	12	1

<sup>1</sup> Excludes 25mm for hinge/handle protection <sup>2</sup> Locking option G available only <sup>3</sup> Dual locking available on model 0095 • Insurance ratings may vary dependent on risk & location. Please check with your insurers.



# Euro Grade 1

(£10,000 cash rating)\*

Using the latest technology and with close consultation with what is recognised as one of the best independent test houses, these safes have been designed to perform under the toughest conditions. Their ultra modern appearance and lightweight construction allows integration into most environments.

- Tested and certified according to EN 1143-1 Security Grade I.
- Fitted with solid steel sliding bolts on three sides, continuous hinge protection and a single security key lock.
- Fire resistant door seal and base fixing point with rear fixing option included as standard. Tested to BS476-20/EN1363-1.
- Optional fittings include adjustable shelving, a lockable compartment, metal door pocket and a rotary or tube deposit facility.
- Dual locking possible on models 1095N to 1780.
- Bespoke RAL colours available.



1085N

**Multiple locking options (see page 45)**  
**Deposit options (see page 22)**



B C G    £10,000    Light Fire Protection    Recycled and recyclable materials



Three-way locking bolts



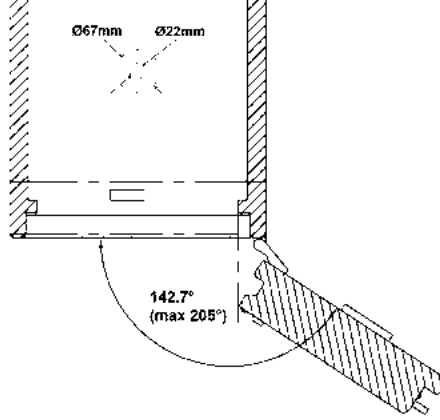
Audit lock option Revo B

## Euro Grade 1 Single Key Lock

Model	External Dimensions (mm)			Internal Dimensions (mm)			Weight (kg)	Volume (l)	Lever Arch Files	Shelves
	Height	Width	Depth <sup>1</sup>	Height	Width	Depth				
1015N <sup>2</sup>	410	335	300	334	275	180	55	17	–	1
1025N <sup>2</sup>	410	415	345	334	355	225	75	27	–	1
1035N <sup>2</sup>	410	415	425	334	355	305	85	36	4	1
1055N <sup>2</sup>	585	415	425	509	355	305	105	55	4	1
1085N	585	515	495	509	455	375	130	87	6	1
1095N	770	515	425	694	455	305	155	96	12	1
1120N	940	515	425	864	455	305	180	120	12	2
1180N	1,120	515	495	1,044	455	375	225	178	18	2
1410N	1,475	765	535	1,399	705	415	375	409	36	3
1535	1,850	840	580	1,720	730	415	495	521	45	4
1780 <sup>3</sup>	1,850	1,190	580	1,720	1,080	415	665	771	70	4

<sup>1</sup> 45mm extra depth with handle and different locks. <sup>2</sup> Locking option G available only. <sup>3</sup> Double doors.  
 \*Insurance ratings may vary dependent on risk & location. Please check with your insurers.





# Euro Grade 2 (£17,500 cash rating)\*

As with all our Euro Graded safes this model is constructed from solid steel with a composite slab door. The smallest model with a 39 litre capacity is one of the most compact Grade 2 safes on the market today. With a range extending to a capacity of 847 litres there is a model to suit virtually any application.

- Tested and certified according to EN 1143-1 Security Grade 2.
- Fitted with solid steel sliding bolts on three sides, continuous hinge protection and a single security key lock.
- Multiple locking options available.
- Fire resistant door seal and base fixing point with rear fixing option included as standard. Tested to BS476-20/EN1363-1.
- Optional fittings include adjustable shelving, a lockable compartment, metal door pocket and a rotary or tube deposit facility.
- Dual locking available on models 2070N to 2845N.
- Bespoke RAL colours available – please contact us for details.



2040N

**Multiple locking options (see page 45)**  
**Deposit options (see page 22)**



B C G £17,500 Light Fire Protection Recycled and recyclable materials



Bespoke Paint Colour

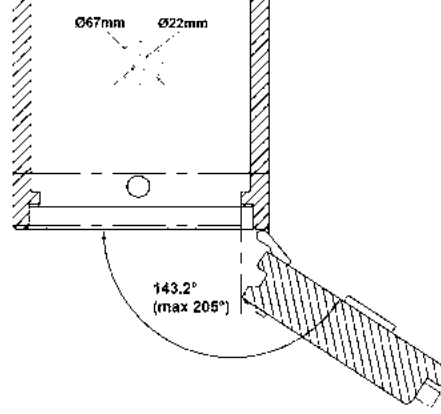


Mechanical Combination Lock Option

## Euro Grade 2 Single Key Lock

Model	External Dimensions (mm)			Internal Dimensions (mm)			Weight (kg)	Volume (l)	Lever Arch Files	Shelves
	Height	Width	Depth <sup>1</sup>	Height	Width	Depth				
2040N <sup>2</sup>	430	460	450	334	380	305	137	39	5	1
2070N <sup>3</sup>	605	535	450	509	455	305	200	71	6	1
2095N <sup>3</sup>	790	535	450	694	455	305	247	96	12	1
2175N <sup>3</sup>	960	610	530	864	530	385	344	176	14	2
2215N <sup>3</sup>	1,140	610	530	1,044	530	385	397	213	21	2
2285N <sup>3</sup>	1,495	610	530	1,399	530	385	501	285	28	3
2395N <sup>3</sup>	1,495	760	560	1,399	680	415	599	395	36	3
2440N <sup>3</sup>	1,320	760	675	1,224	680	530	585	441	27	2
2580N <sup>3</sup>	1,850	840	580	1,754	760	435	768	580	45	4
2845N <sup>3,4</sup>	1,850	1,190	580	1,754	1,110	435	978	847	70	4

<sup>1</sup> 45mm extra depth with handle and different locks. <sup>2</sup> Locking option G available only. <sup>3</sup> Dual locking available on models 2070N to 2780. <sup>4</sup> Double Doors. \*Insurance ratings may vary dependent on risk & location. Please check with your insurers.



# Euro Grade 3

(£35,000 cash rating)\*

A safe tested to Grade 3 as well as providing a cash rating of up to £35,000 will also provide valuables cover of up to £350,000. This rule (x10) can be applied to the safes across all of the Securikey ranges.



3070N

- Tested and certified according to EN1143-1 Security Grade 3.
- 3-way 40mm locking bolts, continuous hinge protection and a single high security key lock or digital keypad to EN1300.
- Fire resistant door seal and base fixing point with rear fixing option included as standard. Tested to BS476-20/ EN1363-1.
- Standard fittings include adjustable shelving and an alarm connection loop.
- Optional fittings include a lockable inner compartment, metal door pocket and a rotary or tube deposit facility.
- Dual locking available on all models.
- Bespoke RAL colours available – please contact us for details.

**Multiple locking options (see page 45)**  
**Deposit options (see page 22)**



Lockable Compartment Option



Solid External Hinges & Fire/Smoke Seal



AB



£35,000



Light Fire Protection



Recycled and recyclable materials

## Euro Grade 3 Single Key Lock

Model	External Dimensions (mm)			Internal Dimensions (mm)			Weight (kg)	Volume (l)	Lever Arch Files	Shelves
	Height	Width	Depth <sup>1</sup>	Height	Width	Depth				
3070N	600	535	464	509	455	305	275	71	6	1
3095N	785	535	464	694	455	305	340	96	12	1
3175N	955	610	544	864	530	385	480	176	14	2
3215N	1,135	610	544	1,044	530	385	550	213	21	2
3285N	1,490	610	544	1,399	530	385	660	285	28	3
3395N	1,490	760	574	1,399	680	415	830	395	36	3
3440N	1,315	760	689	1,224	680	530	860	441	27	2
3560N	1,850	840	580	1,759	760	421	1,057	563	45	4
3820N <sup>2</sup>	1,850	1,190	580	1,759	1,100	421	1,346	822	70	4

<sup>1</sup> 45mm extra depth with handle and different locks. <sup>2</sup> Double Doors • Dual locking available on all models  
 \*Insurance ratings may vary dependent on risk & location. Please check with your insurers.



# Euro Grade 4 & Euro Grade 5 Dual Locking

(£60,000, Grade 4 or £100,000, Grade 5 cash rating)\*

Euro Grade 4 and 5 offers the ultimate solution for cash and valuables protection. Typical installations include Banks and Diamond Merchants.

- Tested and certified according to EN 1143-1 and fitted with 2 locks to EN 1300.
- Fitted with 40mm steel sliding bolts.
- Fire-resistant door seal and base fixing points. Tested to BS476-20/ EN1363-1.
- Electronic locking options available.
- Standard fittings include adjustable shelving and an alarm connection loop.
- Optional lockable inner compartment, metal door pocket and rotary or tube deposit facility.
- Bespoke RAL colours available – please contact us for details.



4080N



5535



Multiple locking options (see page 45)  
Deposit options (see page 22)

## Euro Grade 4 Dual Locking (Key/Mechanical Combination)

Model	External Dimensions (mm)			Internal Dimensions (mm)			Weight (kg)	Volume (l)	Lever Arch Files	Shelves
	Height	Width	Depth <sup>1</sup>	Height	Width	Depth				
4080N	600	610	464	509	530	305	315	82	7	1
4095N	785	535	464	694	455	305	355	96	12	1
4175N	955	610	544	864	530	385	495	176	14	2
4215N	1,135	610	544	1,044	530	385	565	213	21	2
4285N	1,490	610	544	1,399	530	385	675	285	28	3
4395N	1,490	760	574	1,399	680	415	845	395	36	3
4440N	1,315	760	689	1,224	680	530	875	441	27	2
4560N	1,850	840	580	1,759	760	421	1,077	563	45	4
4820N <sup>2</sup>	1,850	1,190	580	1,759	1,110	421	1,372	822	70	4

<sup>1</sup> 45mm extra depth with handle and different locks. <sup>2</sup> Double Doors • Doors open to 205° • \*Insurance ratings may vary dependent on risk & location. Please check with your insurers.



## Euro Grade 5 Dual Locking (Key/Mechanical Combination)

Model	External Dimensions (mm)			Internal Dimensions (mm)			Weight (kg)	Volume (l)	Lever Arch Files	Shelves
	Height	Width	Depth <sup>1</sup>	Height	Width	Depth				
5100 <sup>3</sup>	840	620	566	680	440	320	705	96	10	1
5150 <sup>3</sup>	1,190	620	566	1,030	440	320	935	145	15	2
5245 <sup>3</sup>	1,380	710	621	1,220	530	375	1,280	242	21	2
5280 <sup>4</sup>	1,530	710	621	1,370	530	375	1,325	272	28	3
5425 <sup>4</sup>	1,530	910	661	1,370	730	415	1,570	415	36	3
5535 <sup>4</sup>	1,880	910	661	1,720	730	415	1,880	521	45	4
5780 <sup>2,4</sup>	1,880	1,260	661	1,720	1,080	415	2,380	771	70	4

<sup>1</sup> 45mm extra depth with handle and different locks. <sup>2</sup> Double Doors <sup>3</sup> Doors open to 205° <sup>4</sup> Doors open to 170° • \*Insurance ratings may vary dependent on risk & location. Please check with your insurers.

# Underfloor & DIY Safes

(Up to £10,000 cash rating)\*

Underfloor safes are designed for installation in a concrete floor. The level of protection provided due to the nature of the installation and location possibilities is huge. Our range of DIY safes is deemed suitable for installation with little or no specialist knowledge. Advice on the installation of this product will be provided at point of purchase.

## DIY RANGE:

- Secure storage for A4 papers, passports, insurance certificates or jewellery.
- Models can be installed in a timber joist floor or can be surface mounted.

## HOUSESAFE RANGE:

- Available in three models and secured with a high quality safe lock.
- An economical way of protecting cash, valuables and vital documents.



## DIY Safes

Model	External Dimensions (mm)			Weight (kg)
	Height	Width	Depth	
Strongbox Extra Euro Profile Lock	130	400	235	12
Cupboard Safe Euro Profile Lock	130	350	235	12
Strongbox Extra	130	400	235	12.5



## Housesafe – Body and Door

Model	External Dimensions (mm)			Weight (kg)
	Height <sup>1</sup>	Width	Depth	
Housesafe Extra – Size 1	345	230	230	17
Housesafe Extra – Size 2	415	305	305	23
Housesafe Extra Deposit	415	305	305	24

<sup>1</sup>Includes neck height of 100mm. Aperture = 166 x 166mm.  
\*Insurance ratings may vary dependent on risk and location. Please check with your insurers.

## Protector – Bodies

Model	External Dimensions (mm)			Weight (kg)
	Height <sup>1</sup>	Width	Depth	
Protector 1	380	360	270	14.5
Protector 2	470	360	270	16.5
Protector 3 Deposit	470	360	270	18.5
Protector 4	560	360	270	18.5
Protector 5 Deposit	560	360	270	20.5

<sup>1</sup>Includes neck height of 150mm. Aperture = 227 x 180mm.



## Protector – Doors

Model	External Dimensions (mm)			Weight (kg)	Cash Rating
	Height <sup>1</sup>	Width	Depth		
Protector Minor	–	247	200	7.5	£4,000
Protector	–	247	200	10.5	£6,000
Protector ABP <sup>1</sup>	–	247	200	11	£10,000

<sup>1</sup>Extra Protection against attack with Oxy-Acetylene.

# Safeguard & Protector



Protector Body 2

Safeguard Body 2

### PROTECTOR RANGE:

- Available in five models with a choice of interchangeable doors covering 3 cash ratings.
- High level of security with interlocking bolts controlled by a key or keyless combination and anti-drill features.
- ABP models protect against thermal attack.

### SAFEGUARD & SAFEGUARD PLUS:

- Safeguard door thickness 12mm, Safeguard Plus door thickness 25mm.
- Drill resistant.
- Double bitted key lock.
- Stainless steel locking components.

Multiple locking options (see page 45)



Safeguard Plus Door

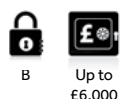
Protector ABP Door

## Safeguard – Bodies

Model	External Dimensions (mm)			Weight (kg)
	Height <sup>1</sup>	Width	Depth	
Safeguard 2	355	245	245	13
Safeguard 3	425	315	315	19
Safeguard 4D <sup>2</sup>	425	315	315	20

<sup>1</sup>Includes neck height of 100mm

<sup>2</sup>Deposit model includes 12pcs deposit capsules



B Up to  
€6,000

## Safeguard – Doors

Model	External Dimensions (mm)		Weight (kg)	Cash Rating
	Diameter	Thickness		
Safeguard	175	13	5	£4,000
Safeguard Plus	175	25	7	£6,000

# Deposit & Bespoke Safes

In most commercial environments there is a need for a deposit safe, somewhere where you can safely deposit items such as cash and other valuables without the need for a key or code to open the safe as well as not drawing attention to its existence. Securikey offers a wide range of quality deposit safes, with a variety of cash ratings and deposit methods, which offer total flexibility in the workplace.



Top Rotary Drum



SCDR48



Counter Cash



Front Rotary Deposit with Lockable Door

## Underfloor Safes - Page 22 & 23

Model	External Dimensions (mm)			Weight (kg)
	Height <sup>1</sup>	Width	Depth	
Housesafe Extra Deposit	415	305	305	24
Protector 3 Deposit Body	470	360	270	18.5
Protector 5 Deposit Body	560	360	270	20.5
Safeguard 4 Body	425	315	315	20

<sup>1</sup>Includes neck. Deposit models includes 12 pcs deposit capsules.

## Steel Stor

Model	External Dimensions (mm)			Weight (kg)
	Height	Width	Depth	
SCDR48	480	320	320	42

Includes 12 pcs deposit capsules.

## Euro Grade

Model	Aperture Size (mm)		
	Height	Width	Depth
Rotary Drum – Top	90	200	220
Rotary Deposit - Front	66	250	195
Slot Deposit	To customer specification		
Tube Deposit	To customer specification		



Electronic Inner Coffers



Mini Vault 2 Deposit



Colour options available

**MINI VAULT SILVER** (see page 13):

- Ideal under desks or counters.
- Available with letter slot deposit (Mini Vault 1) or front hopper deposit (Mini Vault 2).

**EURO GRADE** (see page 15):

- A wide range of models suitable for most applications.
- A choice of 4 different deposit methods including rotary drum, letter slot or capsule deposit tube.
- The secondary installation of a rotary drum or capsule deposit requires removal of the VdS badge. Please inform your insurers accordingly.

**UNDERFLOOR SAFES** (see page 22):

- Ideal for use where space is at a premium.
- Deposit tube diameter is 52mm.

**STEEL STOR:**

- SCDR48 has a top loading rotary deposit drum with a 90mm x 250mm aperture. A spring return ensures the drum is always closed.

**COUNTER CASH**

- One lock secures to base plate while a second releases stored notes
- External dimensions 225 x 100 x 190mm

**Multiple locking options** (see page 45)

**Mini Vault Silver**

Model	External Dimensions (mm)			Internal Dimensions (mm)			Aperture Size (mm)		Weight (kg)	Volume (l)
	Height	Width	Depth	Height	Width	Depth	Height	Width		
Mini Vault 1 Deposit	294	374	325	210	365	260	20	140	28	15
Mini Vault 2 Deposit	532	374	425	260	365	360	100	250	48	34

Deposit models and modifications can result in reduced cash ratings. Please check with your insurers.

Certified & tested for the harshest fires



“Securing your documents from all forms of attack including fire and flood”



# FIRE SAFES & CABINETS

In the aftermath of a fire, access to important documents such as insurance policies, wills, passports and certificates is essential to getting back on your feet. Securikey's range of modern, high security, fire-resistant safes and vaults is manufactured to the highest standards and independently tested and approved for a combination of fire protection, flood and physical attack.





# Fire Stor

(£2,000 cash rating)\*

Our range of secure fire and burglary resistant storage cabinets are an affordable solution for the safekeeping of both valuables and documents. The cabinets are double-walled with a fire resistant barrier material to DIN 4102. The inclusion of this second level of protection gives these cabinets their fire resistance. In addition, they have undergone a burglary test and are therefore well suited to the storage of valuables up to the value of £20,000.

- Tested and certified to EN14450 – S1.
- Double-walled construction with fire resistant filling to DIN 4102.
- Each model is fitted as standard with five heavy-duty locking bolts secured on three sides and a VdS approved safe lock.
- Additional options include an internal lockable compartment (180mm high on single door version, 300mm high on the double door version), pull-out frames for hanging files and additional shelves.

Multiple locking options (see page 45)



1020



1024



1023



1021



## Fire Stor

Model	External Dimensions (mm)			Internal Dimensions (mm)			Weight (kg)	Capacity (l)	Lever Arch Files <sup>1</sup>	Shelves
	Height	Width	Depth	Height	Width	Depth				
1023	860	600	520	690	490	405	95	137	12	1
1022	1,220	600	520	1,050	490	405	120	208	18	2
1021	1,580	600	520	1,410	490	405	145	280	24	3
1020	1,950	930	520	1,780	820	405	215	591	50	4
1024	1,950	1,200	520	1,780	1,090	405	245	786	65	4

<sup>1</sup> Suggested capacities for Lever Arch files – 80mm width \*Insurance ratings may vary dependent on risk & location. Please check with your insurers.

# Master Lock® Fireproof Chests & Fire Resistant Filing Cabinets



L1200  
Fire Chest Small

## FIRE RESISTANT FILING CABINETS:

- Designed for the safekeeping of paper files.
- Adjustable hanging rails suitable for all file sizes.
- Independently tested and certified.
- Drawers are mounted on a rugged suspension system.
- Flush handles to prevent injury.

## FIREPROOF CHESTS:

- Key or digital lock prevents the lid from opening in the event of fire.
- Fire and flood proof models.



CHW30300  
Digital Lock

4-Drawer  
Filing Cabinet



60mins  
950°

## Filing Cabinets

Model	External Dimensions (mm)			Weight (kg)
	Height	Width	Depth	
4-Drawer Filing Cabinet	1,406	528	675	266



Up to  
60mins

## Master Lock® Fireproof Chests

Model	Product Codes	External Dimensions (mm)			Internal Dimensions (mm)			Weight (kg)	Capacity (l)	Fire Test
		Height	Width	Depth	Height	Width	Depth			
Fire Chest Small	L1200	155	362	284	89	305	191	6	5.2	30 mins
Fire Chest Medium	LCHW20101	168	391	363	112	325	216	9.3	7.9	30 mins
Fire Chest Large <sup>1</sup>	LCFW30100	193	419	375	136	321	232	14.1	10.1	60 mins
Fire Chest Large <sup>2</sup>	CHW30300	193	419	375	136	321	232	10.9	10.1	30 mins
Fire Chest Extra Large <sup>2</sup>	FHW40300	359	421	351	295	305	206	19.5	18.5	30 mins

<sup>1</sup>Water resistant construction <sup>2</sup>Digital locking

# Master Lock® Digital Fire Safes

The perfect solution for storing important documents and valuables, Master Lock® fireproof safes are UL classified and offers 60 minute protection at 927°C or 120 minute protection at 1010°C. All models are ETL verified, water resistant to a depth of 200mm for 24 hours and are locked via a programmable digital keypad.

- Programmable digital lock with backlit keypad.
- UL classified fire protection.
- ETL water protection and verified impact resistance.
- Up to 6 large 1 inch bolts providing advanced protection against theft.
- Steel construction for durable and reliable protection.



1 Hour Digital Fire Safe X Large



Download the Master Lock® brochure from [securikey.co.uk](http://securikey.co.uk) for further details.



1 Hour Digital Fire Safe XX Large



60mins 927°    120mins 1010°

## Master Lock® Digital Fire Safes

Model	Product Codes	External Dimensions (mm)			Internal Dimensions (mm)			Weight (kg)	Capacity (l)	Shelves	Fire Test
		Height	Width	Depth	Height	Width	Depth				
Digital Fire Safe Large	LFW 082FTC	348	415	491	244	319	292	35.7	22.7	1	60 mins
Digital Fire Safe X Large	LFW 123FTC	453	415	491	349	319	302	38.9	33.6	1	60 mins
Digital Fire Safe XX Large	LFW 205FYC	603	472	491	498	376	302	56.6	56.5	1	60 mins
Digital Fire Safe XX Large with alarm	LFW 205TWC	603	472	491	498	376	302	56.6	56.5	1	60 mins
Digital Fire Safe X Large	LTW 123GTC	453	415	491	349	319	302	58.2	33.6	1	120 mins
Digital Fire Safe XX Large	LTW 205GYC	603	472	491	498	376	302	79.3	56.5	1	120 mins



“Protecting your wealth and health in a variety of environments”



# SECURITY CABINETS & BOXES

The secure storage of both Drugs and Firearms is very strictly controlled. Where as cash and valuables risk is covered by an insurer, an inadequate provision made by a company or individual for keeping dangerous drugs and armaments can result in personal prosecution and subsequent incarceration. This range of products will ensure you comply to the relevant standard.

# Medical and Pharmaceutical Storage

Our range of Medical Storage Cabinets are designed using our extensive knowledge of the protection and control of cash and valuables. The 'Bronze Level' Medical Cabinet is suitable for storing general First Aid items, whilst the 'Gold' and 'Silver' units are perfect for drugs that are governed by the Home Office Drugs Inspectorate.

- Bronze level cabinet features: 1.5mm pressed steel construction with security cam lock, shelves and lockable inner compartment.
- Silver level cabinets feature: 2mm body with 5mm door fitted with digital lock.
- Gold level cabinet to EN14550 (page 30)

Gold and Silver cabinets conform to the construction required for the misuse of drugs (safe custody) regulation 1973.



Medical Cabinet 3



Medicine Cabinet 200D internal



Medicine Cabinet 200D

## Medical and Pharmaceutical Cabinets

Model	External Dimensions (mm)			Internal Dimensions (mm)			Weight (kg)	Volume (l)	Shelves	Internal Lockable Compartment
	Height	Width	Depth <sup>1</sup>	Height	Width	Depth				
Medical Cabinet 1	350	300	120	–	–	–	4	–	2	No
Medical Cabinet 2	450	300	140	–	–	–	6	–	1	Yes
Medical Cabinet 3	550	380	205	–	–	–	11	–	2	Yes
Medicine Cabinet MC180D	450	420	180	435	415	145	17	26	1	No
Medicine Cabinet MC200D	670	420	200	665	415	165	25.5	45	2	Yes
Secure Stor SC050 <sup>1</sup>	430	446	364	377	430	305	35	49	1	No

<sup>1</sup> Gold standard alternative sizes page 32



# Secure Stor

(£2,000 cash rating)\*

Secure Stor offers an economic solution to the ever increasing problem of safe storage of high value bulk items, including the safekeeping of medical and pharmaceutical supplies.

Whilst built to the same exacting standards as the Euro Grade range, these units are tested to EN14450-S1 and certified by VdS in Germany. Manufactured with a 3mm solid steel body, with 3-way locking mechanism and VdS approved class 1 safe lock. The internal hinges allow the door to open 102°. Hardened steel plates protect all other areas prone to attack. Available in five sizes with alternative locking options, the cabinet is supplied with prepared base fixing points and shelves.

Multiple locking options (see page 45)

Deposit options (see page 22)



SC155



SC050



B G



£2,000



Recycled and recyclable materials

## Secure Stor

Model	External Dimensions (mm)			Internal Dimensions (mm)			Weight (kg)	Volume (l)	Shelves
	Height	Width	Depth	Height	Width	Depth			
SC050	430	446	364	377	430	305	35	49	1
SC065	550	446	364	497	430	305	42	65	1
SC110	790	496	364	737	480	305	55	108	1
SC155	1,150	496	364	1,097	480	305	76	161	2
SC215	1,510	496	364	1,457	480	305	96	213	3

\*Insurance ratings may vary dependent on risk & location. Please check with your insurers.



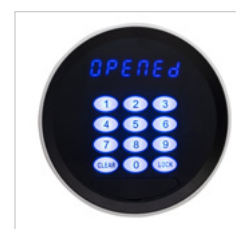
## Gun & Ammunition Cabinets

These gun and rifle cabinets exceed the UK standard (BS 7558) for storing firearms and utilise 3-way 25mm locking bolts, secured by a single high security key lock to EN 1300. Concealed hinges and continuous hinge side protection offer superior resistance from attack.

- Multi point locking with 8-lever safe lock.
- Gun cabinets are supplied with a trigger lock to prevent unauthorised use of a firearm during transportation.
- Ammunition cabinet in two sizes is fitted with an electronic lock and key override.
- Tested and approved to SS302-SILVER



Turnbull 2



Electronic lock TDL



Ammunition Cabinet 200



Recycled and recyclable materials

### Gun and Ammunition Cabinets

Model	External Dimensions (mm)			Internal Dimensions (mm)			Weight (kg)	Max. Capacity (Weapons)
	Height	Width	Depth <sup>1</sup>	Height	Width	Depth		
Turnbull 1 <sup>1</sup>	1,250	300	285	1,230	290	220	63	7
Turnbull 2 <sup>1</sup>	1,500	380	285	1,480	370	220	84	9
Ammunition Cabinet AC180D	450	420	180	435	415	145	17	–
Ammunition Cabinet AC200D	670	420	200	665	415	165	25.5	–

<sup>1</sup> Includes a free gun trigger lock 90D for use during transportation. Turnbull 2 - 1,260mm to underside of fixed shelf.

# Post Boxes

## HIGH SECURITY POST BOXES:

Our sleek, weatherproof High Security Post Boxes are available in two sizes and have been designed for outdoor environments to protect letters and small packets from theft. As part of our One Key Solution range, High Security Post Boxes offers the potential for integration with existing 'single key' systems, simplifying security and offering increased flexibility.

- 1.5mm thick steel with Euro Profile locking.

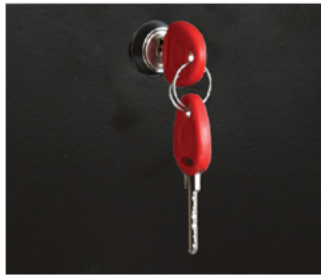
## STANDARD POST BOXES:

Utilising high grade steel, powder coating and high quality cam lock, these fabricated post boxes are built to the same exacting standards as our 'System' key cabinets. Available in two sizes with the option of front or top loading, both sizes will accept A4 comfortably. To avoid rattling in strong winds, noise dampening materials have been incorporated.

- Quality cam lock and powder-coated finish to give years of service.



High Security Range



High Quality Cam Lock



Euro Profile Cylinder Lock



Standard Front Loading

## High Security Post Boxes

Top Loading Model	External Dimensions (mm)			Slot (mm)		Weight (kg)
	Height	Width	Depth	Width	Depth	
Medium Post Box	375	300	120	295	40	6
Large Post Box	550	380	140	375	40	10

## Standard Post Boxes

Top Loading Model	External Dimensions (mm)			Slot (mm)		Weight (kg)
	Height	Width	Depth	Width	Depth	
Medium Post Box	365	270	110	245	36	2.5
Large Post Box	370	365	110	350	36	4.1
Front Loading Model						
Medium Post Box	365	250	110	210	36	2.5
Large Post Box	370	365	110	325	36	4.3



Standard Top Loading





“Reflecting your need for  
clear, undistorted images”

# CONVEX MIRRORS

Strategically placed, our extensive range of convex mirrors are used to improve security, safety and operational efficiency in a diverse range of environments, from Factories to Warehouses, on Shop floors and in Hospitals, Police Stations and Prisons – eliminating blind spots and improving safety and surveillance where visibility is poor.

**Viewing Distance:** This is the combined distance from the observer to the mirror PLUS the distance from the mirror to the object being observed and should be used as a guide only.

# Interior Convex Mirrors

By eliminating blind spots and hard-to-see areas convex mirrors allow staff or store security to constantly and inconspicuously monitor customers or visitors. They can help to prevent accidents in warehouses, garages or busy corridors and they reduce security risks. The whole range

of convex mirrors come complete with a fully adjustable bracket which is designed to give you the best optimal angle for viewing specific areas.

## Interior Convex

Model	Description (mm)	Viewing Distance (M)	Acrylic Face Thickness (mm)	Back
M18020J	300 diameter	5	2	ACM
M18038J	450 diameter	7	2	ACM
M18056J	600 diameter	10	2	ACM
M18108J	900 diameter	18	2	Vinyl Celuka
M18330A	600 x 400 rectangular	13	2	-

Supplied with bright zinc "J" arm bracket. ACM = Aluminium Composite Material.



600 x 400 Rectangular

# Interior Hemisphere Mirrors

For wide angle viewing the ceiling dome mirrors, wall dome mirrors and corner dome mirrors are all ideal in open areas above aisles and shelving. The deluxe half dome mirror is designed for busy corridors and passageway T-intersections to help avoid collisions. The lightweight vinyl back and lid fully enclose the cavity so that no dust, garbage or other objects can be left inside.

## Interior Hemisphere 90° "Quarter Dome"

Model	Description (mm)	Viewing Distance (M)	Acrylic Face Thickness (mm)	Back
M18541H	300 x 300 quarter face	3	2	-
M18562H	450 x 450 quarter face	6	3	-

Designed for corner fixing ideal for observation and as a deterrent. Dome top screws supplied.



Quarter Face



Deluxe Half Face



Half Face



Full 360° Dome

## Interior Hemisphere 180° "Half Dome"

Model	Description (mm)	Viewing Distance (M)	Acrylic Face Thickness (mm)	Back
M18535H	600 x 300 half face	6	2	-
M18535HE	600 x 300 deluxe half face	6	3	Vinyl Celuka
M18552H	900 x 450 half face	9	3	-

Designed for walls above shop fixtures and for anti-collision purposes. Dome top screws supplied.

## Interior Hemisphere 360° "Ceiling Dome"

Model	Description (mm)	Viewing Distance (M)	Acrylic Face Thickness (mm)	Back
M18585H	600 diameter	6	2	-
M18589H	900 diameter	9	3	-

Dome top screws supplied for mounting on ceiling and suspension kit for adjustment to optimum height.

## Exterior Convex Mirrors

The weather resistant heavy duty acrylic convex mirror is versatile and robust and will handle many industrial and traffic situations. Complete with a fully adjustable wall mounting bracket (optional pole mounting accessories are available) which is easy to install and allows the mirror to be angled in the most effective position.



Pedestrian Safety



Exterior Deluxe HD

### Interior/Exterior (Sheltered Conditions)

Model	Description (mm)	Viewing Distance (M)	Acrylic Face Thickness (mm)	Back
M18036JP	400 diameter	7	2	ACM
M18056JP	600 diameter	10	2	ACM

Supplied with bright zinc "J" arm bracket. ACM = Aluminium Composite Material.

### Exterior Heavy Duty

Model	Description (mm)	Viewing Distance (M)	Acrylic Face Thickness (mm)	Back
M18044S	450 diameter	28	2	Vinyl Celuka <sup>1</sup>
M18062S	600 diameter	38	2	Vinyl Celuka <sup>1</sup>
M18144S	900 diameter	55	3	Vinyl Celuka <sup>1</sup>

Supplied with bright zinc "J" arm bracket. <sup>1</sup>10mm.

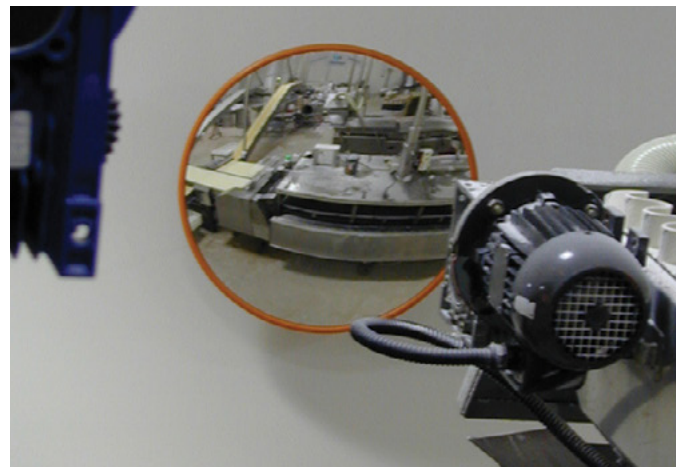
### Exterior Deluxe Heavy Duty

Model	Description (mm)	Viewing Distance (M)	Acrylic Face Thickness (mm)	Back
M18066D	600 diameter	38	3	Vinyl Celuka <sup>1</sup>
M18087D	800 diameter	50	3	Vinyl Celuka <sup>1</sup>
M18445D	1,000 diameter	Over 60	3	Vinyl Celuka <sup>1</sup>

Supplied with pole mounting kit to suit 75mm post. <sup>1</sup>10mm.

## Food Processing and Production Line Mirrors

The impact resistant acrylic face of the food production line mirror makes it ideal for monitoring processes, reducing production costs, bottlenecks and workplace accidents. Stainless Steel is the best option for extreme cleaning regimes.



Food Processing

### Food Processing Acrylic

Model	Description (mm)	Viewing Distance (M)	Acrylic Face Thickness (mm)	Back
M18244V	450 diameter	28	2	Moulded ASA Vinyl
M18266V	600 diameter	38	2	Moulded ASA Vinyl
M18287V	800 diameter	50	3	Moulded ASA Vinyl

Supplied with stainless steel "J" arm bracket.

### Food Processing Stainless Steel

Model	Description (mm)	Viewing Distance (M)	Stainless Steel Face Thickness (mm)	Back
M16144FE	450 diameter	32	0.7	Stainless Steel
M16166FE	600 diameter	42	0.9	Stainless Steel
M16187FE	800 diameter	60	0.9	Stainless Steel
M16505W	500 wall dome	30	0.9	-
M500CD	500 ceiling dome	5	1.2	-

Supplied with stainless steel "J" arm bracket (excludes dome mirrors)

# Traffic Mirrors

When a high visibility general purpose traffic mirror with a superior image is required, the Pro Series Circular mirror is the ideal choice. The back is made from a 100% UV stabilised advanced plastic composite, ensuring superior longevity and strength.

## Traffic Mirrors

Model	Description (mm)	Viewing Distance (M)	Acrylic Face Thickness (mm)	Back
M18666CS	600 diameter	38	2	Moulded ASA Vinyl
M18687CS	800 diameter	46	2	Moulded ASA Vinyl
M18642R	600 x 400 rectangular	38	2	Moulded ASA Vinyl
M16336C <sup>1</sup>	320 x 225 rectangular	23	Stainless Steel 0.7	Stainless Steel

Supplied with 75mm diameter pole mounting brackets. <sup>1</sup>Supplied with 32mm diameter pole clamp bracket only.



600mm Traffic



Half Dome

## Exterior Hemisphere Half Dome

Model	Description (mm)	Viewing Distance (M)	Acrylic Face Thickness (mm)	Back
M18535H0	600 x 300 half face	9	2	Vinyl Celuka <sup>1</sup>
M18553H0	900 x 450 half face	12	2	Vinyl Celuka <sup>1</sup>

Supplied with bright zinc "J" arm bracket. <sup>1</sup>10mm.

# Inspection and Testing Mirrors

Look under inspection mirrors are designed for rolling under vehicles and other large objects to view and inspect areas which are difficult to see underneath.

The model with four castor wheels allows the mirror to be easily positioned as required while the extra deep convex mirror ensures the maximum viewing area.



Fork Lift Rear View



Heavy Duty Inspection with Light

## Fork Lift Rear View

Model	Description (mm)	Viewing Distance (M)	Acrylic Face Thickness (mm)	Back
M19952A	300 x 150 half face	12	2	Moulded ASA Vinyl
M19952T	300 x 150 half face	12	2	-

## Illuminated Heavy Duty Portable Inspection Mirror

Model	Description (mm)	Viewing Distance (M)	Acrylic Face Thickness (mm)	Back
MHI230SB	230 diameter	4	2	ACM
MHL300SB <sup>1</sup>	300 diameter	6	2	ACM

<sup>1</sup>Mounted on castors. ACM = Aluminium Composite Material. Supplied with a protective bag for safe storage when not in use.

## Portable Inspection

Model	Description (mm)	Viewing Distance (M)	Acrylic Face Thickness (mm)	Back
M18660	150 diameter	3	2	ACM
M18662	230 diameter	4	2	ACM
M18664 <sup>1</sup>	450 diameter	4	2	ACM

<sup>1</sup>Mounted on castors. ACM = Aluminium Composite Material.

## MOT Test Mirror

Model	Description (mm)	Viewing Distance (M)	Acrylic Face Thickness (mm)	Back
M20405	400 diameter	10	2	ACM

# Institutional and Anti-Vandal Mirrors

Corrections facility mirrors have been specifically designed for use in prisons and secure units where security and safety to both guard and prisoner or patient are critical. The virtually indestructible polycarbonate or stainless steel mirror face and a unique anti ligature full steel frame give a clear distortion free reflection, while the anti-ligature hole designs are tamperproof and meet the tough requirements of many prisons and institutions worldwide. These design features ensure perfect application in any area where vandalism is an issue.



Wall Dome



Vanity Mirror



Quarter Dome



Half Dome



Secure Institutions Full Dome

## Polycarbonate – Anti-Ligature

Model	Description (mm)	Viewing Distance (M)	Polycarbonate Face Thickness (mm)	Application
M17527H	300 x 300 quarter face	6	3	Anti-Ligature
M17537H	600 x 300 half face	6	3	Anti-Ligature
M175371DI	450 ceiling dome	4	3	Anti-Ligature
M17585DI	600 ceiling dome	6	3	Anti-Ligature

## Flat Vanity Mirror – Anti-Vandal / Anti-Ligature

Model	Description (mm)	Material	Surround	Application
M17243R	400 x 300	Polycarbonate	MDF	Anti-Vandal
M17254R	500 x 400	Polycarbonate	MDF	Anti-Vandal
M17265R	600 x 500	Polycarbonate	MDF	Anti-Vandal
M16243R	400 x 300	Stainless Steel	MDF	Anti-Vandal
M16254R	500 x 400	Stainless Steel	MDF	Anti-Vandal/ Ligature
M16265R	600 x 500	Stainless Steel	MDF	Anti-Vandal
M16257AS	500 x 400	Stainless Steel	Steel	Anti-Ligature
M16257GS	500 x 400	Stainless Steel	Steel	Anti-Ligature
M16255GS	Round 400mm	Stainless Steel	Steel	Anti-Ligature
M16258GS	400 x 300	Stainless Steel	Steel	Anti-Ligature
M16259GS	600 x 500	Stainless Steel	Steel	Anti-Ligature

## Stainless Steel – Anti-Ligature / Anti-Vandal

Model	Description (mm)	Viewing Distance (M)	Stainless Steel Face Thickness (mm)	Application
M16525HL	250 x 250 quarter face	5	1.2	Anti-Ligature/ Vandal
M16529HL	500 x 250 half face	6	1.2	Anti-Ligature/ Vandal
M16505W	500 wall dome	30	0.9	Anti-Ligature/ Vandal
M500CD	500 ceiling dome	5	1.2	Anti-Ligature/ Vandal
M16047C <sup>1</sup>	450 diameter	32	0.7	Anti-Vandal
M16066C <sup>2</sup>	600 diameter	42	0.7	Anti-Vandal

<sup>1</sup>Supplied with 'J' arm bracket. <sup>2</sup>Supplied with 75mm clamp bracket.



“Helping working people in  
their working lives”

# KEY REELS & RETRACTORS

Four decades after our first Key Reel was produced, millions are in use worldwide in hundreds of different professions by people who require high-quality products they can depend on daily. From courier drivers to porters, security guards and construction workers, our key reels and retractors are a convenient and secure way to keep keys, tools and ID badges to hand at all times. Lightweight and durable, they can fasten to either belts or clothing and are available in a range of 'own-branded' models to suit individual company requirements.

# Super 48

Every detail of this heavy duty retractable key holder was built for rugged use and hard work. The extra durable polycarbonate case is impact resistant and the tough Kevlar® cord has been tested to over one million pulls - guaranteed to outlast any other retractable key holders on the market. The patented locking mechanism on the SUPER48 Key Holder will ensure your keys, tools and other items stay right at your hip without dropping to the ground.



Super 48 (RHDK)

## Super 48

Strength	Fixing	Description	Code	Weight Carried	Approx. Keys Carried
Extra Heavy Duty	Spring Clip & Belt Loop	Key Reel, Super 48, 900mm Kevlar® Cord	RHDKHD	Up to 370g	22
Heavy Duty	Spring Clip & Belt Loop	Key Reel, Super 48, 1200mm Kevlar® Cord	RHDK	Up to 230g	15
Heavy Duty	Leather Belt Loop	Key Reel, Super 48, 1200mm Kevlar® Cord	RHDKLBL	Up to 230g	15

# Original

The KEY-BAK Original is a heavy duty key reel guaranteed to outlast the competition. Perfect for custodians, facilities and maintenance workers, hospitality and casino employees, mechanics and more. Choose from the stainless steel chain or the rugged Kevlar® cord. Additionally, select the back attachment that best suits you: a sturdy belt clip, secure belt loop, the removable rotating clip or the bracket for mounting purposes.



Belt Loop

Key Reel with 600mm Chain (RSCA)

## Original

Strength	Fixing	Description	Code	Weight Carried	Approx. Keys Carried
Heavy Duty	Spring Clip	Key Reel, 1200mm Kevlar® Cord	RSCHDK	Up to 230g	15
Heavy Duty	Belt Loop	Key Reel, 1200mm Kevlar® Cord	RBLHD	Up to 230g	15
Heavy Duty	Spring Clip & Spinner	Key Reel, 1200mm Kevlar® Cord	RSPHD	Up to 230g	15
Standard Duty	Spring Clip	Key Reel, 600mm Stainless Steel Chain	RSCA	Up to 230g	15
Standard Duty	Belt Loop	Key Reel, 600mm Stainless Steel Chain	RBLB	Up to 230g	15
Standard Duty	Spring Clip & Spinner	Key Reel, 600mm Stainless Steel Chain	RSP	Up to 230g	15
Standard Duty	Bracket	Key Reel, 600mm Stainless Steel Chain	RBM	Up to 230g	N/A

# Karabiner

The heavy duty retractable Karabiner holder conveniently attaches to almost everything, making it one of the most widely used Karabiner reels we make.

Available with Kevlar® Cord or a Stainless steel chain.



Standard Duty chain (RKCH)



Heavy Duty Kevlar® cord (RKK)



Karabiner Clip (RKK)

## Karabiner

Strength	Fixing	Description	Code	Weight Carried	Approx. Keys Carried
Heavy Duty	Karabiner Clip	Key Reel, Karabiner, 1200mm Kevlar® Cord	RKK	Up to 230g	15
Standard Duty	Karabiner Clip	Key Reel, Karabiner, 600mm Stainless Steel Chain	RKCH	Up to 230g	15
Heavy Duty	Karabiner Clip	Key Ring with Karabiner Clip	RKKRL	-	-

# Duty Gear

The Duty Gear Retractable key silencers, uniform protectors and accessories are ideal for law enforcement, casino, hotel and security professionals. The casing of ballistic nylon securely wraps completely around your keys.



Key Tab & Reel (RKT-BLSC60)



Key Silencer & Reel (RKS-BLSC60)



## Duty Gear

Strength	Fixing	Description	Code	Weight Carried	Approx. Keys Carried
Standard Duty	Belt Loop	Key Silencer & Reel, 600mm Stainless Steel Chain	RKS-BLSC60	Up to 230g	15
Standard Duty	Belt Loop	Key Tab & Reel, 600mm Stainless Steel Chain	RKT-BLSC60	Up to 230g	15
Standard Duty	Belt Loop	Key Silencer & Removable Key Carrier	RKS-BLKRKC	-	-
Standard Duty	Belt Loop	Key Silencer with Key Ring	RKS-BLR	-	-
Extra Heavy Duty	Belt Loop	Key Silencer & Reel, 900mm Kevlar® Cord	RKS-BLKC90	Up to 370g	22



## Sidekick, Midi & ID

Office and nursing professionals want a retractable key and badge reel that will hold their keys and other small items (like a USB drive) as well as their ID badges. The Sidekick does that and more.



Side Kick (RSK)



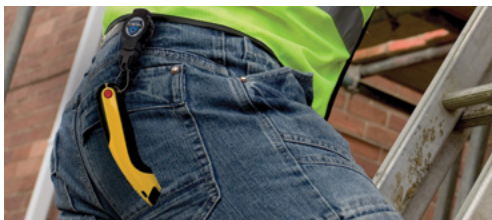
Midi Keyreel (RMB-XCBSP)

### Sidekick, Midi & ID

Strength	Fixing	Description	Code	Weight Carried	Approx. Keys Carried
Light Duty	Karabiner Clip	Sidekick, Key Reel & ID Badge Holder, 600mm Kevlar® Cord	RSK	Up to 115g	6
Heavy Duty	Spring Clip & Spinner	Midi Key Reel, 900mm Polyester Cord	RMB-XCBSP	Up to 170g	10
Light Duty	Spring Clip	Split Key Reel, 910mm Nylon Cord Twin Pack	RMB-CB-2	Up to 56g	3
Standard Duty	Karabiner	Retractor with Safety Knife, 900mm Kevlar® Cord	RKR-KN	N/A	Single Knife
Light Duty	Spring Clip	ID/Swipe Card Reel, 910mm Nylon Cord Twin Pack	RMB-IDCB-2	Up to 56g	ID Badge

## T-Reign Light Duty

The Outdoor Series Retractable Gear Tethers have a rugged black polycarbonate case with a black universal end fitting. Available in 3 sizes in a selection of fittings including Karabiner, swivel belt clip and hook & loop strap.



Small Retractor with Spring Clip (TRG-412)

### T-Reign Light Duty

Strength	Fixing	Description	Code	Weight Carried
Light Duty	Karabiner	Retractor, Small Black, 600mm Kevlar® Cord	TRG-411	Up to 113g
Light Duty	Spring Clip	Retractor, Small Black, 600mm Kevlar® Cord	TRG-412	Up to 113g
Light Duty	Nylon Strap	Retractor, Small Black, 600mm Kevlar® Cord	TRG-413	Up to 113g

# T-Reign Standard and Heavy Duty

The USA made T-REIGN Retractable tether keeps electronics such as rangefinders, GPS units, phones and more secure and handy. The lightweight zinc alloy Karabiner option attaches to nearly anything and the polycarbonate case with stainless steel retraction spring is built to withstand the elements of the outdoors.



Heavy Duty Retractor with Karabiner (TRG-431)

## T-Reign Standard and Heavy Duty

Strength	Fixing	Description	Code	Weight Carried
Standard Duty	Karabiner	Retractor, Medium Black, 900mm Kevlar® Cord	TRG-421	Up to 170g
Standard Duty	Spring Clip	Retractor, Medium Black, 900mm Kevlar® Cord	TRG-422	Up to 170g
Standard Duty	Nylon Strap	Retractor, Medium Black, 900mm Kevlar® Cord	TRG-423	Up to 170g
Heavy Duty*	Karabiner	Retractor, Large Black, 1200mm Kevlar® Cord	TRG-431	Up to 226g
Heavy Duty*	Spring Clip	Retractor, Large Black, 1200mm Kevlar® Cord	TRG-432	Up to 226g
Heavy Duty*	Nylon Strap	Retractor, Large Black, 1200mm Kevlar® Cord	TRG-433	Up to 226g

\*Innovative locking system to keep gear tethered at desired length.

# T-Reign Extra Heavy Duty

Our Gear Tethers have a durable and waterproof polycarbonate case, a smooth Kevlar® cord for extension, and a universal gear attachment that easily secure anything you'd need to quickly access such as tools, flashlights, knives and more.

Choose between a metal Karabiner or a hook and loop strap to quickly and easily secure your gear.



Extra Heavy Duty Retractor with Strap (TRG-433)

## T-Reign Extra Heavy Duty

Strength	Fixing	Description	Code	Weight Carried
Extra Heavy Duty*	Karabiner	Retractor, XD Large, 900mm Kevlar® Cord	TRG-441	Up to 397g
Extra Heavy Duty*	Spring Clip	Retractor, XD Large, 900mm Kevlar® Cord	TRG-442	Up to 397g
Extra Heavy Duty*	Nylon Strap	Retractor, XD Large, 900mm Kevlar® Cord	TRG-443	Up to 397g

\*Innovative locking system to keep gear tethered at desired length.

# ProCase and ProHolster

ProCase gear protectors are weather, water and impact resistant. Requiring only one hand to operate the catch-and-latch system, ProCases are available in small, medium, large and extra large. Each ProCase includes a rugged Kevlar® tether that reaches up to 900mm and the stainless steel spring is proven to last more than 1 million pulls. Attaching your gear to the ProCase tether is easy.

ProSheath  
(excludes  
pliers)



ProCase with inter-  
grated Retractor  
(excludes pliers)



ProHolster  
(excludes radio)

## ProCase and ProHolster

Description	Inner Dimensions (H x W x D) - mm	Code
ProSheath	N/A	TFS-1111
ProHolster	143 x 70 x 38	TRH-1011
ProCase Small	114 x 57 x 25	TRP-101
ProCase Medium	127 x 63 x 20	TRP-201
ProCase Large	140 x 70 x 25	TRP-301
ProCase Extra Large	146 x 96 x 48	TRP-401



ProCase rear view  
and Holster



# ToolMate Dropped Object Protection

This innovative range of retractable tethers and link tool attachments provide protection to a wide variety of tools and equipment, preventing them being dropped and damaged as well as alleviating accidents in the workplace. Tested and approved to ANSI / ISEA 121-2018.



ToolMate Link Strap Attachment with D-ring (RTM-LS2.25) used with Attachment Tape (RTM-LTR)



ToolMate Link Strap Attachment with D-ring (RTM-LS1.36)



ToolMate Drill Shoe Attachment with Retractable Tool Tether (RTM-2.25) Smartphone Jacket (RTM-LSPJ) and Tape Measure Jacket (RTM-LTMJ) with Retractable Tool Tether (RTM-0.45)

ToolMate SmartPhone Jacket (RTM-LSPJ)



ToolMate Drill Shoe Attachment (RTM-LDS)



## ToolMate Retractable Tool Tethers

Model	Fixing	Code	Weight Carried
ToolMate Retractable Tool Tether	Karabiner	RTM-0.45	0.45kg
ToolMate Retractable Tool Tether	Karabiner	RTM-1.36	1.36kg
ToolMate Retractable Tool Tether	Karabiner	RTM-2.25	2.25kg



ToolMate Retractor (RTM-2.25)

## ToolMate Tool Attachments

Model	Weight Carried	Code
ToolMate Drill Shoe Attachment	-	RTM-LDS
ToolMate Tape Measure Jacket	-	RTM-LTMJ
ToolMate SmartPhone Jacket	-	RTM-LSPJ
ToolMate SmartPhone Jacket XL	-	RTM-LSPJ-XL
ToolMate Link Strap Attachment with D-ring (3-pack)	1.36kg	RTM-LS1.36
ToolMate Link Strap Attachment with D-ring (3-pack)	2.25kg	RTM-LS2.25
ToolMate Link Strap Attachment with cord loop & D-ring (3-pack)	2.25kg	RTM-LSCL2.25
ToolMate Link Strap Attachment with strap loop and D-ring (3-pack)	2.25kg	RTM-LSL2.25
ToolMate Attachment Tape - 3 metre	-	RTM-LTR



ToolMate Retractor (RTM-1.36)

# LOCKING OPTIONS

Unless otherwise stated Securikey products will be supplied with a key lock as standard. The type of lock will depend upon its position within the range. Securikey recognises that there may be a requirement to add or alter the standard locking configuration. We offer the alternatives listed below for this reason.



**A REVO B/BR**  
**1 Manager, 39 User Codes**  
 Full function lock with multiple user codes, audit trail and time locking to prevent unauthorised entry during specific time zones.



**E MECHANICAL PUSH BUTTON LOCK**  
 A push button lock similar to those used extensively within offices in the UK. This lock type is available with a slam lock only.



**I LA GARD 39E**  
**1 Manager, 9 User Codes**  
 VdS Class 2 lock with time delay.



**B 3/4-WHEEL MECHANICAL COMBINATION**  
 A combination lock used extensively in the safe industry. Offers in excess of 1 million combinations.



**F CL1000**  
 Entry level electronic lock with programmable 4-digit code, designed to replace our standard Cam Lock. May be fitted horizontally or vertical depending on product.



**J TDL**  
 1 manager and 1 user code with Key override. Can be programmed to both home and hotel mode. Motorised Bolts.



**C REVO A**  
**1 Manager, 8 User Codes**  
 A heavy duty lock offering up to 9 user codes and time delay of up to 99 minutes.



**G WITTKOPP PRIMOR 2000**  
**2 User Codes**  
 VdS Class 2 lock with 2 user code and time delay facility.



**K LA GARD 66E**  
**1 Manager, 9 User Codes**  
 Multi user lock with 512 event audit. Programmable features include time delay, time delay override, dual combination, silent alarm etc.



**D PADLOCKING CAM LOCK**  
 Designed to replace our standard Cam Lock, this option accepts a padlock with 8mm diameter shackle (Max).



**H MICROLOCK**  
 2 User codes with Key override entry level lock.



**L SAFE LOGIC**  
 Single user code with master override facility and wrong code penalty.

Images shown may not be indicative of the lock fitted

## LOCKING OPTIONS GUIDE

Locking Option	High Security Key Cabinets	Floor Standing Systems	Key Control	Key Vault Cabinets	System Key Cabinets	Euro Cylinder Systems	Padlock Security Systems	Key View Systems	Portable Key Systems	Emergency Key Boxes	MicroVault	EuroVault	Mini Vault Silver & Deposit	Mini Vault Gold FR	Euro Grade 0015-0055	Euro Grade 0085-0095	Euro Grade 1015N-1055N	Euro Grade 1085N-1780N	Euro Grade 2040N	Euro Grade 2070N-2780N	Euro Grade 3	Euro Grade 4 - Dual Locking	Euro Grade 5 - Dual Locking	Under Floor Safes	Fire Stor S1	Medicine	Secure Stor
<b>Mechanical</b>																											
Standard Cam Lock	●	-	-	-	-	●	-	●	●	●	-	-	-	-	-	-	-	-	-	-	-	-	-	-	-	-	-
3-Wheel Combination	B	▲	▲	-	▲	▲	-	▲	-	-	-	-	▲	▲	▲	▲	▲	▲	▲	▲	-	●	●	▲	▲	-	▲
4-Wheel Combination	B	■	■	-	■	■	-	■	-	-	-	-	-	-	■	■	■	■	■	■	▲	▲	▲	■	■	-	■
Padlocking Cam Lock	D	-	-	-	-	▲	-	▲	▲	▲	-	-	-	-	-	-	-	-	-	-	-	-	-	-	-	-	-
Mechanical Push Button Lock	E	-	-	-	▲	-	▲	-	-	-	-	-	-	-	-	-	-	-	-	-	-	-	-	-	-	-	-
Euro Profile Cylinder	●	-	-	-	●	-	●	-	-	-	■	▲	▲	-	-	-	-	-	-	-	-	-	-	-	-	-	-
Stuv VdS Class 1 Key Lock	●	●	-	-	-	-	-	-	-	-	-	-	●	●	-	-	-	-	-	-	-	-	-	-	-	-	-
Mauer VdS Class 1 Key Lock	●	-	●	-	-	-	-	-	-	-	-	-	-	-	●	●	●	●	●	●	-	-	-	●	●	-	●
Mauer VdS Class 2 Key Lock	●	-	-	-	-	-	-	-	-	-	-	-	-	-	-	-	-	-	-	-	●	●	●	-	-	-	-
<b>Electronic</b>																											
Revo 'B'	A	■	■	-	■	■	-	■	-	-	-	-	-	-	-	-	-	-	-	■	-	■	■	-	■	-	■
Revo 'BR' Redundancy Feature	A	■	■	-	-	-	-	-	-	-	-	-	-	-	-	-	-	-	-	-	■	▲	▲	-	-	-	-
Revo 'A'	C	▲	▲	-	▲	▲	-	▲	-	-	-	-	-	-	▲	-	▲	-	▲	-	-	-	-	-	▲	-	■
CL1000	F	-	-	-	-	▲	-	▲	▲	▲	-	-	-	-	-	-	-	-	-	-	-	-	-	-	-	-	-
Wittkopp Primor 2000	G	-	■	-	■	-	-	-	-	-	-	-	■	■	▲	■	▲	■	▲	■	■	■	■	-	■	-	▲
Micro Lock	H	-	-	-	-	-	-	-	-	-	●	-	-	-	-	-	-	-	-	-	-	-	-	-	-	-	-
La Gard 39E	I	■	■	-	■	■	-	-	-	-	-	-	■	■	-	■	-	■	-	■	■	■	■	-	■	-	■
TDL	J	-	-	●	-	-	-	-	-	-	-	●	-	-	-	-	-	-	-	-	-	-	-	-	-	●	-
La Gard 66E	K	■	■	-	■	■	-	-	-	-	-	-	■	■	-	■	-	■	-	■	■	■	■	-	■	-	■
Safe Logic	L	■	■	-	■	■	-	-	-	-	-	-	▲	▲	■	■	■	■	■	■	■	-	-	-	■	-	■

Key: ● Standard Supply ▲ Standard Option ■ Alternative Option

# ACCREDITATIONS & TESTING



## Master Locksmiths Association

We are affiliate members of the Master Locksmiths Association, this organisation inspects and tests both individual members and companies to ensure they are delivering a quality service to a agreed standard with employees that are security vetted.



## Secured by Design

Third party approval of our certified products to an agreed police approved standard, only products falling under this accreditation can be recommended by the police force and its agents. Working closely with BSI and Sold Secure etc. on items as diverse as door locks, safes, fencing to advising on designing out crime in new builds.



## ISO 9001-2015

An internationally recognised certification of quality & structure of a business. Securikey ISO certification is audited annually by BVQI and forms one of the bedrocks of our philosophy on customer service.



## AiS

The inclusion of the AiS approved logo re-enforces the importance of independent testing and the products approved status with a large amount of British Insurers. This safe list is a good guide to new and old cash ratings, however you are advised to check with your insurers before installation.



## ESSA

We are members of ESSA, the European Security Systems Association, who provide clear and uniform test methods amongst individual countries test houses.



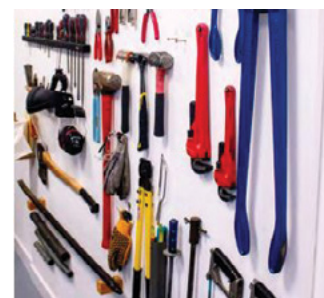
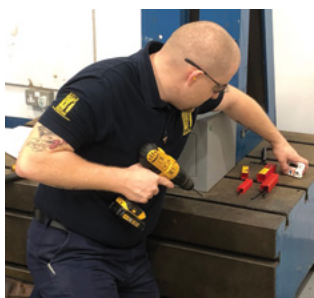
## Recycling ISO 14001

Products supplied carrying this label are made from or with recyclable materials with special focus of our range of safes graded to European standards, no compromise is made on security just a little more care on the sourcing and sustainability of materials.



## Sold Secure

Securikey uses 2 main test houses for our safe and vault product, The VdS in Germany and Sold Secure in the United Kingdom. Sold Secure is part of the MLA and tests items such as safes, gun cabinets, padlocks and door locks. Sold Secure test to recognise 3rd part standards be that BSI or EN. Rest assured if its certified at Sold Secure its tested every year to ensure continuity of resistance to attack.



## Burglery

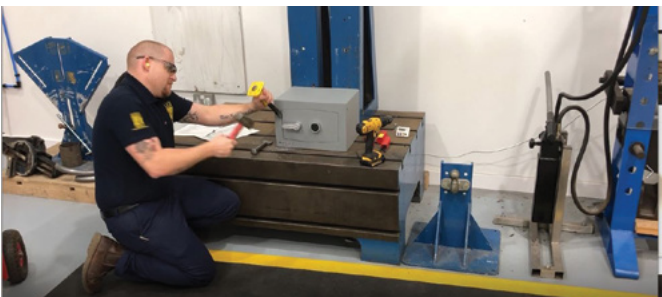
Our range of safes and vaults are tested to 3 main British and European standards that have been adopted by the UK insurance industry, these standards cover cash rating from £2,000 to £1 million, this rating is x10 for valuables such as watches, jewellery or bonds. The range of tools used and time taken is strictly measured to ensure if the product carries approval under these standards then you can guarantee that they are up to and in most cases exceed this agreed resistance to attack. Each item will bear this badge with its tested standard and level achieved.

The testing undertaken at the UK Sold Secure test house is an annual procedure and as you can see from several of the images, multiple tool sets are pre-prescribed in the standard be that our safes, padlocks, key holding boxes or door cylinders.



## Fire Protection Rating

The level of fire protection provided is indicated by the use of this icon, signifying the temperature and time duration achieved. This rating is established from both our own 'in-house' test and independent testing in Sweden, US and the UK. Testing standards include NT017/BS476-20/EN1363-1 and UL.



## Anti Vandal / Ligature

Our range of anti-vandal and anti-ligature mirrors are tested at the SKG laboratory to destruction to ensure that they are more than capable of withstanding the tough climate of prisons, mental care facilities and the urban environment.



## Dropped Object Protection

ANSI/ISEA 121-2018 Certified 3rd party testing guarantees your ToolMate Tool Tether is designed, tested and proven to a 2:1 safety factor.

## Security Standards

Where no clear industry standards exist, Securikey has developed its own rating system to aid product selection. We have applied 50 years experience within the security industry to these standards, and found them to be an excellent measure of strength and durability.



Products which provide the highest possible standard of security in each range.



Offering additional security and strength, over and above Bronze level.



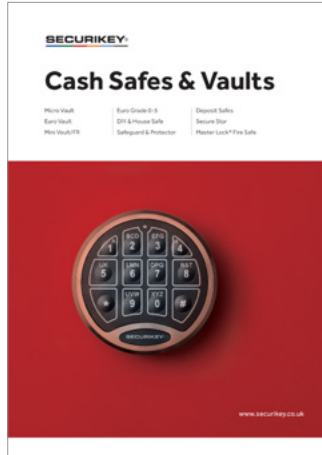
Where a base level of protection or security is required.

## Guarantee

Securikey branded products offer a 1 year guarantee in respect of materials and workmanship\*. This can be increased to 3 years by registering online at securikey.co.uk. Master Lock® security branded products in most instances carry a lifetime guarantee.

\*Guarantee applicable to the lock is limited to that offered by the lock's manufacturer.

**Other publications:**



**+44 (0)1252 311 888**  
**securikey.co.uk**  
**enquiries@securikey.co.uk**

Securikey Limited, PO Box 18  
 Aldershot, Hampshire, GU12 4SL

**Disclaimer:** Every effort has been made to ensure that the information in this brochure is correct. We have a policy of continually developing and improving our products and reserve the right to change specification without notice. By virtue of the Trades Description Act 1968 all measurements and weights must be considered approximate.

