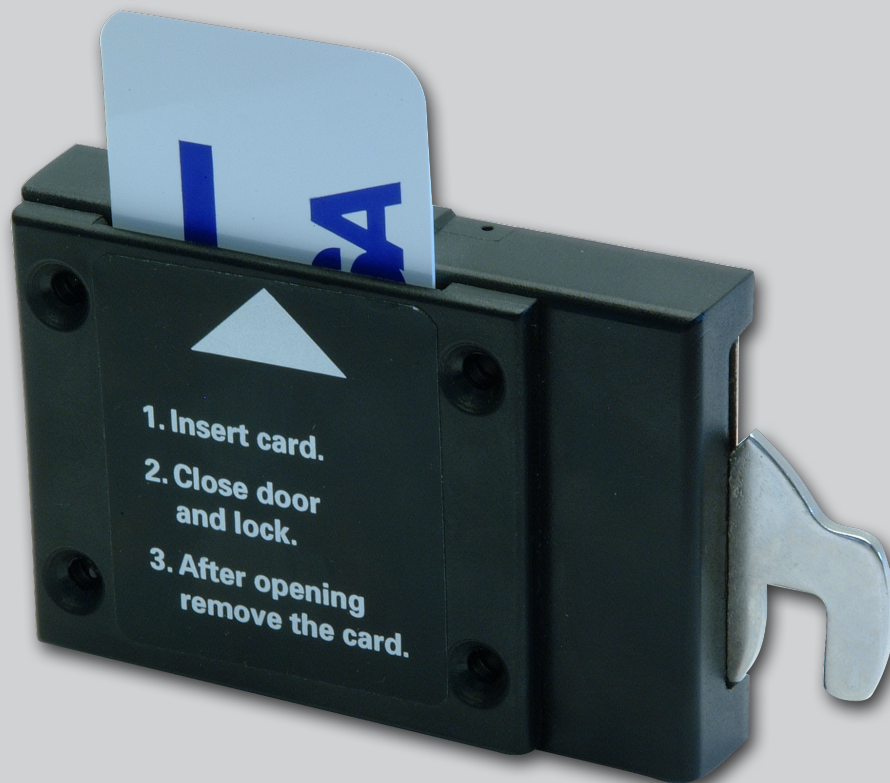


# ASSA Card Lock

Coin- and Card Locks



## Performance

ASSA Card Lock is a mechanical card lock for cupboards. Hole punched cards will give access to lock with keys. The lock can be made to accept one hole punched or two hole punched cards.

On request, when assembling the lock for one hole punched cards, 4 different located card codes are available and for two hole punched cards, 20 different card codes are available.

The card lock can be ordered for right-or lefthanded lockers. A range of cylinders covering different demands of material thickness and security levels, can be used. The cylinder is master keyed.

The lock is made for use in wet areas: Lock case of polycarbonate, cylinder of chromated brass, keys and hook bolt of nickel plated brass. Desmo keys of nickel silver.

## Function

When inserting the card in the lock, the door can be locked and the key removed. In locked position the card remains captive. The insertion of a card is then the deposit, which enables the key to be taken away by the customer. After use, when the door is unlocked the card can be removed and the key remains captive in the lock, available for next customer. Using different card codes, enable to keep customers apart in different spaces.

**ASSA**<sup>®</sup>

**ASSA ABLOY**

ASSA ABLOY, the global leader  
in door opening solutions.

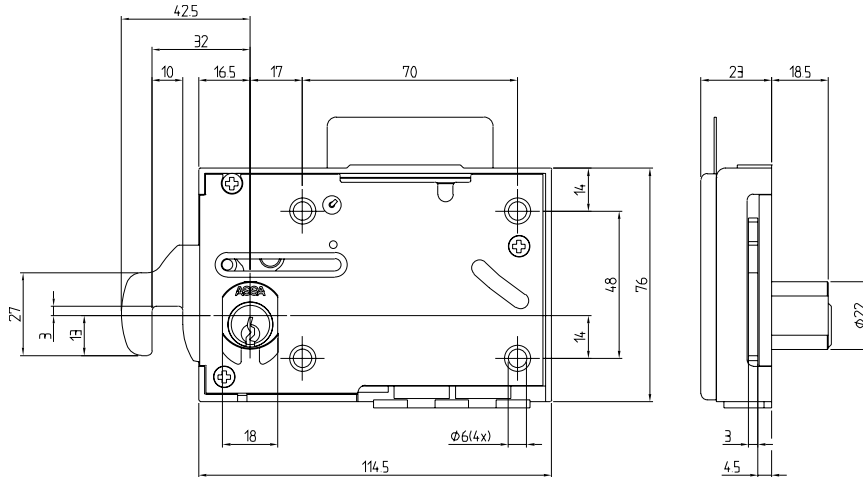
NORMAL  
TO HIGH  
SECURITY



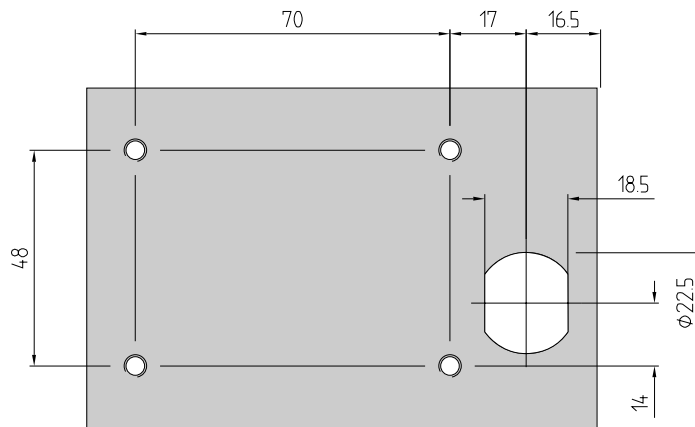
# ASSA Card Lock

## Coin- and Card Locks

Dimension (mm)



Hole preparation



**ASSA**®

**ASSA ABLOY**

ASSA ABLOY, the global leader in door opening solutions, dedicated to satisfying end-user needs for security, safety and convenience.

ASSA OEM AB  
P.O. Box 371  
SE-631 05 Eskilstuna  
Sweden

phone +46 (0)16 17 70 00  
fax +46 (0)16 17 74 51

Customer support:  
phone +46 (0)16 17 79 50  
fax +46 (0)16 17 70 18  
e-mail: csg@assaoem.se

www.assa.se

Card lock	Type of cylinder					Door thickness		Normal security	High security	2 Keys		Escutcheon (10 mm)	Part number
	Fixed	Removable	Desmo	RH	LH	19 mm	29 mm			Maxi	Mini		
incl.		x		x			x	x			x		290 286
incl.	x			x		x		x			x		290 287
incl.	x			x			x	x			x		290 288
incl.		x		x			x	x		x		x	290 289
incl.	x			x		x		x		x			290 290
incl.	x			x			x	x		x			290 291
incl.		x			x		x	x			x	x	290 293
incl.	x				x	x		x			x		290 294
incl.	x				x		x	x			x		290 295
incl.		x			x		x	x		x		x	290 296
incl.	x				x	x		x		x			290 297
incl.	x				x		x	x		x			290 298
incl.	x		x	x			x		x	Desmo			290 299
incl.	x		x	x			x		x	Desmo			290 300

Extra keys: Desmo    Maxi    Mini  
                  492373    491155    492164

Include part numbers: Instruction Label  
Accessories, please see data sheet "Accessories"