

OCS[®] PRO





METROPOLITAN
SPORT CLUB & SPA



OCS[®]PRO

The OCS Pro is the latest generation of touch keypad lock from Ojmar; now with enhanced features, function and style. The OCS is the preferred solution worldwide for references such as Google, Fitness First, Toyota, Virgin Active to name a few. The latest addition to the family the OCS pro, builds on this heritage and quality making it the obvious choice where design, multiple features and reliability are key.

The OCS Pro is supplied non handed and can be installed as new or retrofit for previous OCS models or locks with similar fixing pattern.

MAIN FEATURES

Touch Keypad - More durable than traditional push button keypads.

Extended battery life - Up to 5 years.

Flexible - Lock can be switched between free or assigned mode.

Easy Programming - By Keypad or EKey + Software(option).*

Easy clean - Hygienic, wipe clean keypad surface.

Sleek design - with integrated handle (non handle option available).

Rated IP 56 - high level resistance to water and dust.

Finishes - available in 3 finishes; Silver, Graphite, White.

Low battery warning - Low battery indicator.

Battery override - External power override for emergency opening.

TECHNICAL SPECIFICATIONS

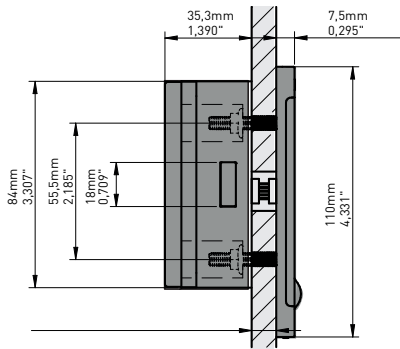
SPECIFICATIONS

POWER SUPPLY	4 Alkaline 1'5v AA batteries
TEMPERATURE RANGE (FUNCTIONAL)	- 10 C° to + 42 C°
BATTERY LIFETIME	Up to 5 years (3 years with LED on)
PROTECTION AGAINST SOLID AND LIQUID BODIES	Wet area version: IP56
DIMENSIONS:	Front part_62 x110x10,10

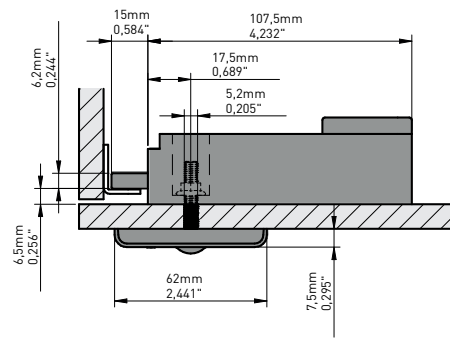
TECHNICAL DRAWINGS

OCSPRO E - 17,5

slide view

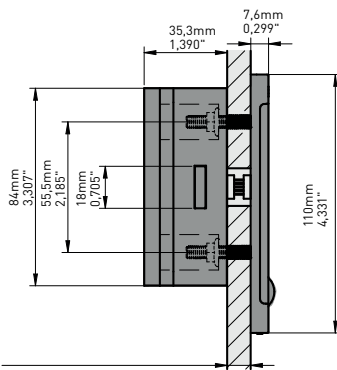


top view

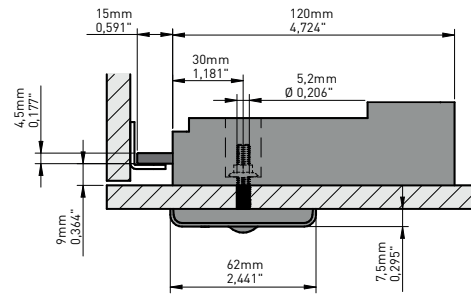


OCSPRO TOUCH LOCK E - 30 FREE

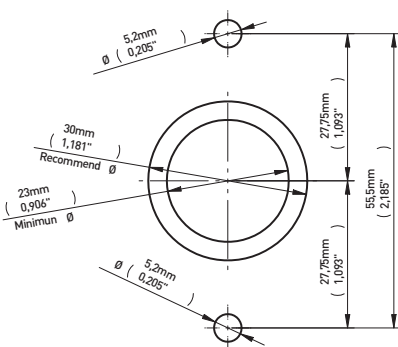
slide view



top view



OCSPRO TOUCH DIMENSIONS AND FIXING POINTS





OCSPRO Silver



OCSPRO Silver Handle



OCSPRO Graphito



OCSPRO Graphito Handle



OCSPRO White



OCSPRO White Handle



OCS®PRO White

PROGRAMMING

KEYPAD PROGRAMMING

THIS IS THE DEFAULT METHOD TO PROGRAM THE LOCKS. VIA THE KEYPAD THE OCS PRO CAN, USING THE MASTERCODE:

- Change the mastercode.
- Change the User code.
- Activate / deactivate sounder.
- Activate / deactivate signal LED.
- Change User code length: 4,5,6 digits.
- Set Free or assigned mode.
- Set duration of use (free mode lockers).

EKEY

AN OPTIONAL EKEY CAN BE PROVIDED TO OPEN/CLOSE THE LOCKS AS A MASTER KEY IF REQUIRED OR AS ADA KEY. IT ALSO ADDS A CLONING FEATURE.

Program from one lock can be downloaded to multiple locks saving time on set up and reprogramming multiple locks.

EKEY + Software

OPTIONAL EKEY + SOFTWARE CAN BE SUPPLIED TO QUICKLY ELECTRONICALLY PROGRAM THE LOCKS AND ADDS ADDITIONAL FEATURES AS FOLLOWS:

Set rental period – Lock can be set to defined rental period eg 1hour, 8 hours or expiry date (assigned mode).

Auto open – Locks can be set to auto open eg at end of day for cleaning or maintenance.

Audit trial – A list of last events and uses for different purposes.

•))

