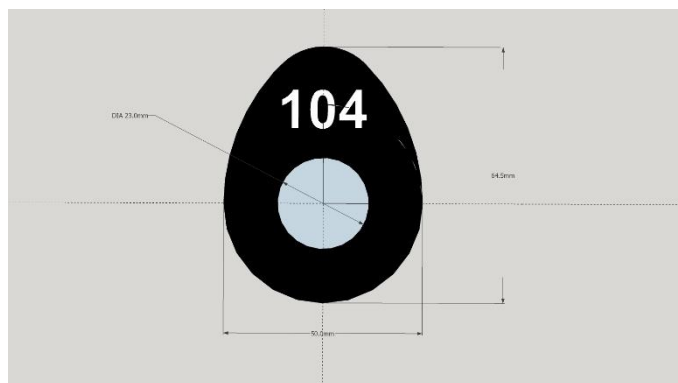


Engraved Laminate Locker Escutcheon Plate

Size:	Number plate is 50mm x 64.5mm
Laminate thickness:	1.5mm
Laminate:	Gravoply2 ABS
Fixing:	Adhesive back
Numbering:	Letters or numbers up to 4 characters
Colour:	Gray, Black, Blue, Red and White
Lock hole:	Euro cylinder or ASSA double D

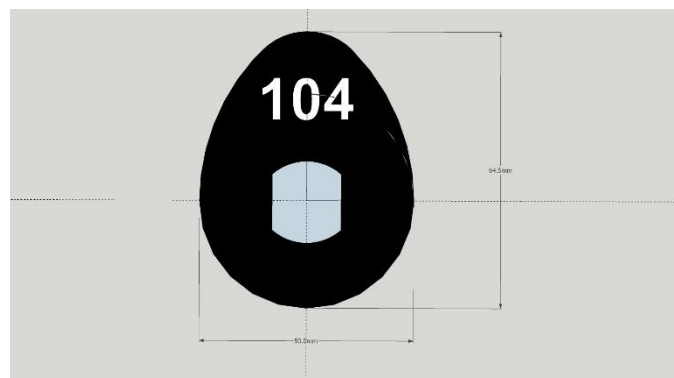


Picture for example only – the image shows Numbered Escutcheons Plates

Key Features

- Manufactured from premium engraving laminate
- ASSA double D or round hole for Euro coin lock
- Selection of laminate colours
- Choice of numbers or letters
- Product can be customised

Numbered escutcheons plates wide choice of colours choice of round or double D lock cylinder hole



If you have something specific you need engraving and have a sketch or design then email sales@totallocker.co.uk and we will provide you with a quotation.

[We also supply replacement keys](#)