

Touch RFID Surface Mount - vertical orientation

Versa operates in shared or assigned use functionality to secure workplace furniture in either open or private environments. With multiple configurations, Versa easily adapts to new or retrofit installations.

- Touch RFID operation
- RFID standards - iClass and Mifare (13.56 MHz)
ISO 14443A • ISO 14443B • ISO 15693
- Cam locking mechanism
- Manage with electronic keys
- Dual functionality – shared or assigned use
- Management override and power bypass
- All metal housing
- Brushed nickel or black finish
- Vertical orientation – knob on the bottom or top
- Surface mount
- Designed for new or retrofit installations
- Multiple options for knob style, cam type, and cylinder length
- 90° or 180° knob rotation (clockwise or counter-clockwise)
- Adapts to multiple door thickness
- Visual and audible indicators
- Available with advanced features*
 - Mobile app management
 - Audit trail
 - Advanced auto unlock feature
 - Advanced system tools

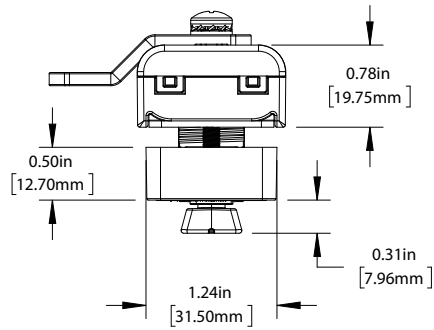


*Requires Mobile App Kit

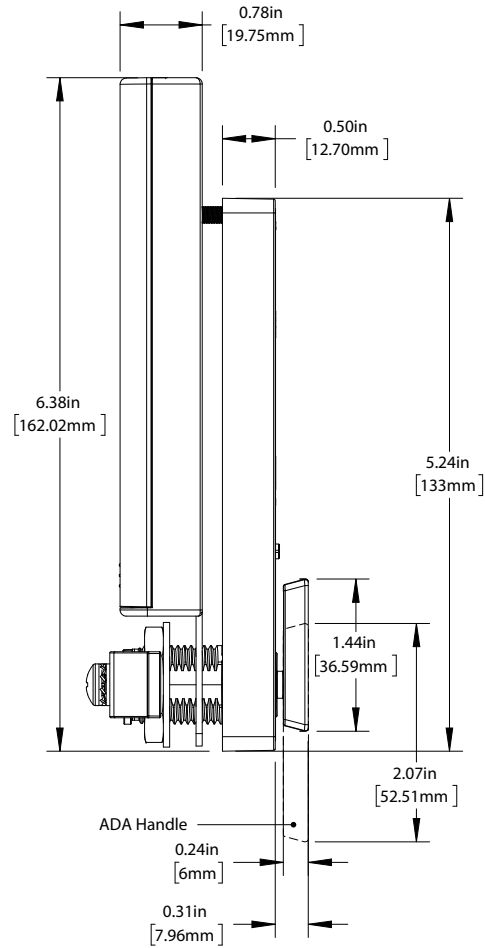


- IP55 rated, FCC, CE, and CI certified
- ADA compliant models available
- Powered by 4 premium AA batteries
- Battery Life: 115,000 cycles with average use
- 2 year warranty

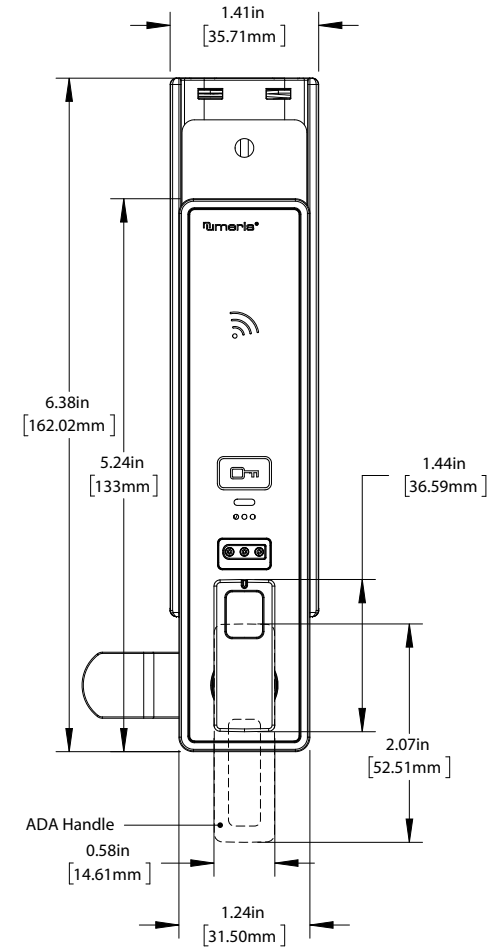
Top View



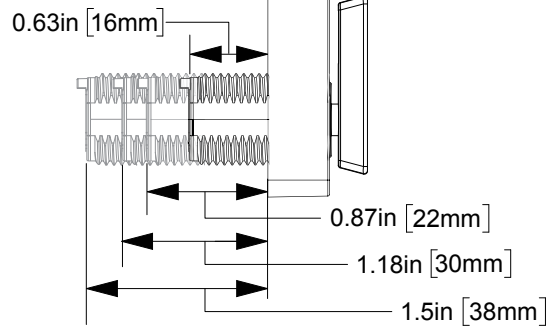
Side View



Front View

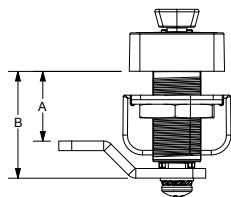


Cylinder Length



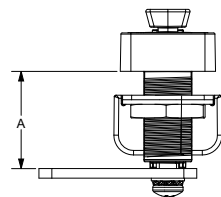
Cam Options

Offset Cam



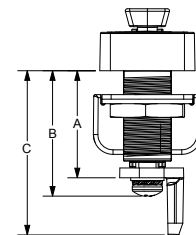
	16MM CYLINDER	22MM CYLINDER	30MM CYLINDER	38MM CYLINDER
A	0.35in (8.92mm)	0.59in (14.92mm)	0.90in (22.92mm)	1.22in (30.92mm)
B	0.83in (21.18mm)	1.07in (27.18mm)	1.39in (35.18mm)	1.70in (43.18mm)

Flat Cam



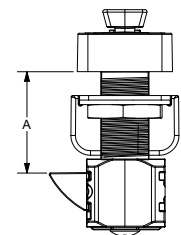
	16MM CYLINDER	22MM CYLINDER	30MM CYLINDER	38MM CYLINDER
A	0.71in (18mm)	0.94in (24mm)	1.26in (32mm)	1.57in (40mm)

Lifter Cam



	16MM CYLINDER	22MM CYLINDER	30MM CYLINDER	38MM CYLINDER
A	0.84in (21.25mm)	1.07in (27.25mm)	1.39in (35.25mm)	1.70in (43.25mm)
B	1.07in (27.25mm)	1.31in (33.25mm)	1.62in (41.25mm)	1.94in (49.25mm)
C	1.58in (40.16mm)	1.82in (46.16mm)	2.13in (54.16mm)	2.45in (62.16mm)

Slam Latch

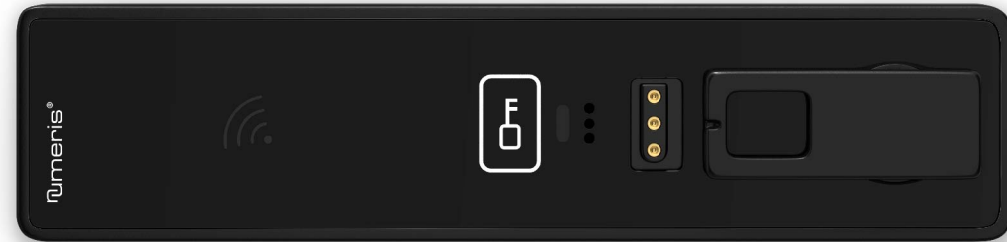


	16MM CYLINDER	22MM CYLINDER	30MM CYLINDER	38MM CYLINDER
A	0.78in (19.70mm)	1.01in (25.70mm)	1.33in (33.70mm)	1.64in (41.70mm)

Touch RFID Surface Mount - horizontal orientation

Versa operates in shared or assigned use functionality to secure workplace furniture in either open or private environments. With multiple configurations, Versa easily adapts to new or retrofit installations.

- Touch RFID operation
- RFID standards - iClass and Mifare (13.56 MHz)
ISO 14443A • ISO 14443B • ISO 15693
- Cam locking mechanism
- Manage with electronic keys
- Dual functionality – shared or assigned use
- Management override and power bypass
- All metal housing
- Brushed nickel or black finish
- Horizontal orientation – knob on the left or right
- Surface mount
- Designed for new or retrofit installations
- Multiple options for knob style, cam type, and cylinder length
- 90° or 180° knob rotation (clockwise or counter-clockwise)
- Adapts to multiple door thickness
- Visual and audible indicators
- Available with advanced features*
 - Mobile app management
 - Audit trail
 - Advanced auto unlock feature
 - Advanced system tools

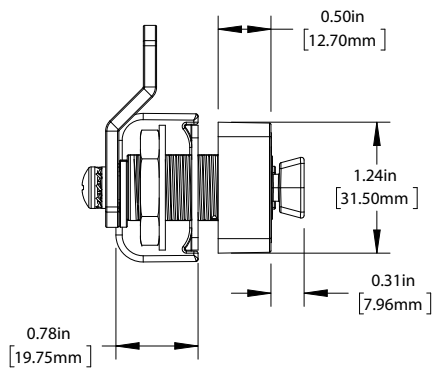


*Requires Mobile App Kit

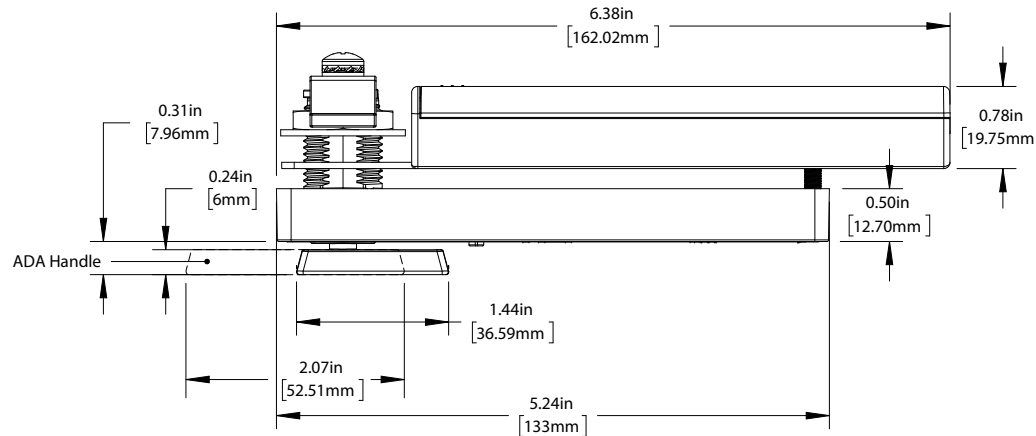


- IP55 rated, FCC, CE, and CI certified
- ADA compliant models available
- Powered by 4 premium AA batteries
- Battery Life: 115,000 cycles with average use
- 2 year warranty

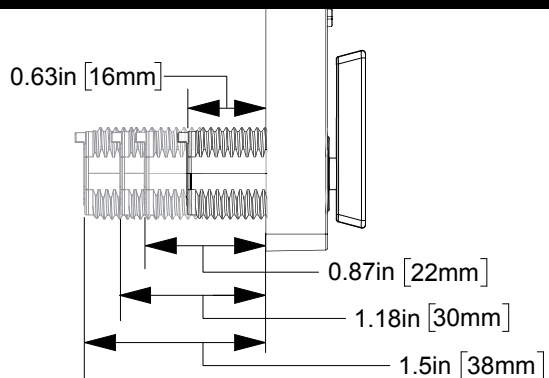
Side View



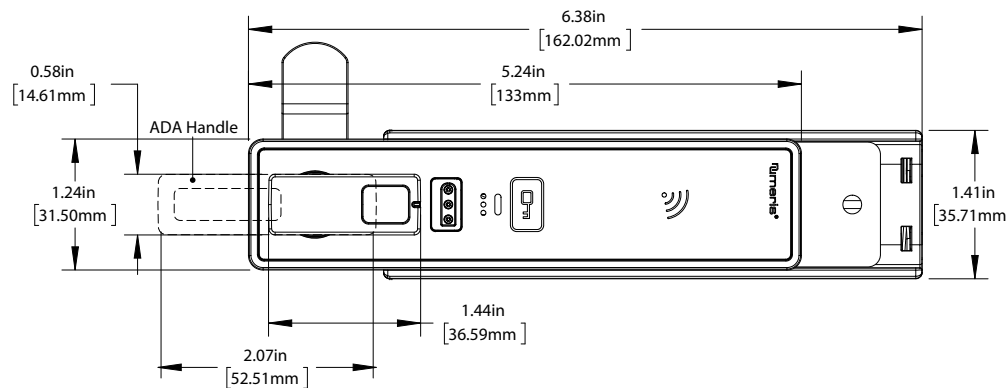
Top View



Cylinder Length

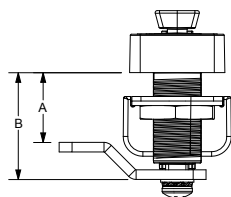


Front View



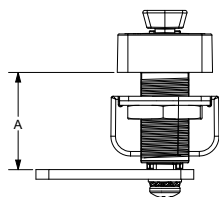
Cam Options

Offset Cam



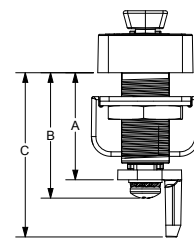
	16MM CYLINDER	22MM CYLINDER	30MM CYLINDER	38MM CYLINDER
A	0.35in (8.92mm)	0.59in (14.92mm)	0.90in (22.92mm)	1.22in (30.92mm)
B	0.83in (21.18mm)	1.07in (27.18mm)	1.39in (35.18mm)	1.70in (43.18mm)

Flat Cam



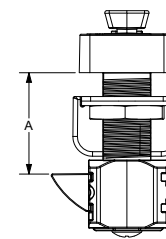
	16MM CYLINDER	22MM CYLINDER	30MM CYLINDER	38MM CYLINDER
A	0.71in (18mm)	0.94in (24mm)	1.26in (32mm)	1.57in (40mm)

Lifter Cam



	16MM CYLINDER	22MM CYLINDER	30MM CYLINDER	38MM CYLINDER
A	0.84in (21.25mm)	1.07in (27.25mm)	1.39in (35.25mm)	1.70in (43.25mm)
B	1.07in (27.25mm)	1.31in (33.25mm)	1.62in (41.25mm)	1.94in (49.25mm)
C	1.58in (40.16mm)	1.82in (46.16mm)	2.13in (54.16mm)	2.45in (62.16mm)

Slam Latch



	16MM CYLINDER	22MM CYLINDER	30MM CYLINDER	38MM CYLINDER
A	0.78in (19.70mm)	1.01in (25.70mm)	1.33in (33.70mm)	1.64in (41.70mm)

Touch RFID Recess Mount - vertical orientation

Versa operates in shared or assigned use functionality to secure workplace furniture in either open or private environments. With multiple configurations, Versa easily adapts to new or retrofit installations.

- Touch RFID operation
- RFID standards - iClass and Mifare (13.56 MHz)
ISO 14443A • ISO 14443B • ISO 15693
- Cam locking mechanism
- Manage with electronic keys
- Dual functionality – shared or assigned use
- Management override and power bypass
- All metal housing
- Brushed nickel or black finish
- Vertical orientation – knob on the bottom or top
- Recess mount
- Multiple options for knob style, cam type, and cylinder length
- 90° or 180° knob rotation (clockwise or counter-clockwise)
- Adapts to multiple door thickness
- Visual and audible indicators
- Available with advanced features*
 - Mobile app management
 - Audit trail
 - Advanced auto unlock feature
 - Advanced system tools

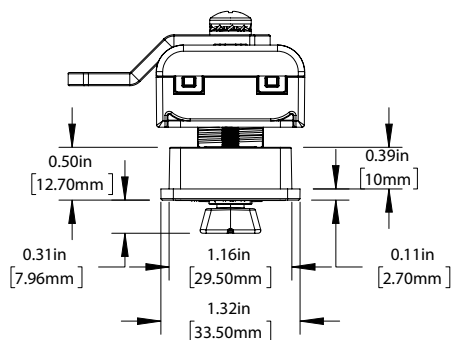


*Requires Mobile App Kit

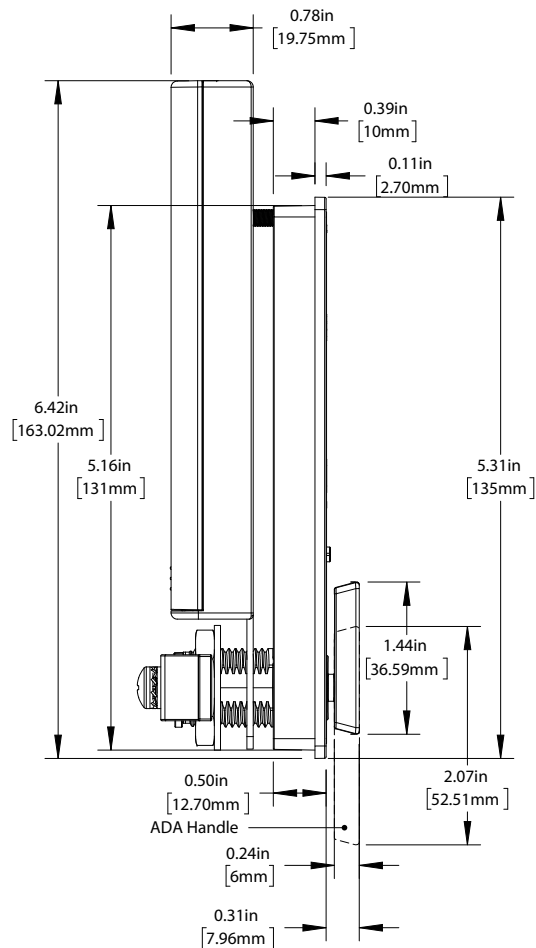


- IP55 rated, FCC, CE, and CI certified
- ADA compliant models available
- Powered by 4 premium AA batteries
- Battery Life: 115,000 cycles with average use
- 2 year warranty

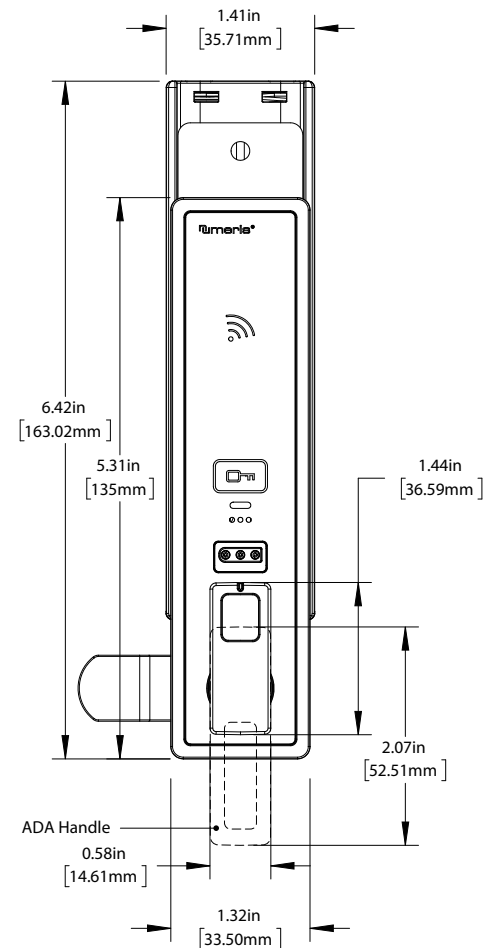
Top View



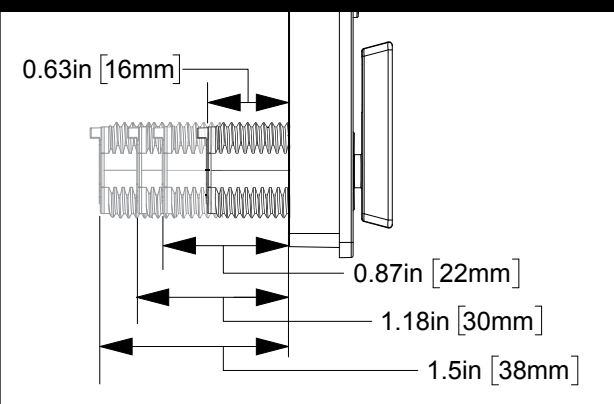
Side View



Front View

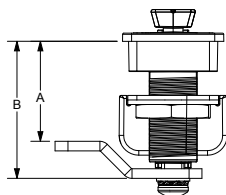


Cylinder Length



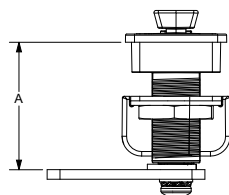
Cam Options

Offset Cam



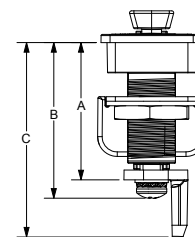
	16MM CYLINDER	22MM CYLINDER	30MM CYLINDER	38MM CYLINDER
A	0.74in (18.92mm)	0.98in (24.92mm)	1.30in (32.92mm)	1.61in (40.92mm)
B	1.23in (31.18mm)	1.46in (37.18mm)	1.78in (45.18mm)	2.09in (53.18mm)

Flat Cam



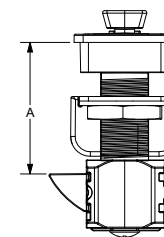
	16MM CYLINDER	22MM CYLINDER	30MM CYLINDER	38MM CYLINDER
A	1.10in (28mm)	1.34in (34mm)	1.65in (42mm)	1.97in (50mm)

Lifter Cam



	16MM CYLINDER	22MM CYLINDER	30MM CYLINDER	38MM CYLINDER
A	1.23in (31.25mm)	1.47in (37.25mm)	1.78in (45.25mm)	2.10in (53.25mm)
B	1.47in (37.25mm)	1.70in (43.25mm)	2.02in (51.25mm)	2.33in (59.25mm)
C	1.97in (50.16mm)	2.20in (56.16mm)	2.53in (64.16mm)	2.84in (72.16mm)

Slam Latch

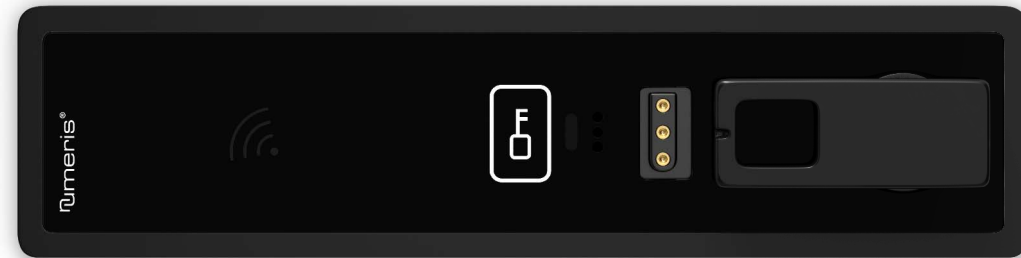


	16MM CYLINDER	22MM CYLINDER	30MM CYLINDER	38MM CYLINDER
A	1.16in (29.5mm)	1.4in (35.5mm)	1.71in (43.5mm)	2.03in (51.5mm)

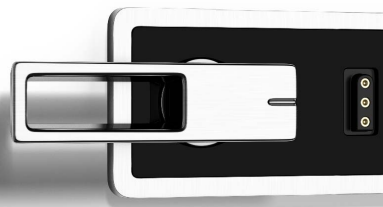
Touch RFID Recess Mount - horizontal orientation

Versa operates in shared or assigned use functionality to secure workplace furniture in either open or private environments. With multiple configurations, Versa easily adapts to new or retrofit installations.

- Touch RFID operation
- RFID standards - iClass and Mifare (13.56 MHz)
ISO 14443A • ISO 14443B • ISO 15693
- Cam locking mechanism
- Manage with electronic keys
- Dual functionality – shared or assigned use
- Management override and power bypass
- All metal housing
- Brushed nickel or black finish
- Horizontal orientation – knob on the left or right
- Recess mount
- Multiple options for knob style, cam type, and cylinder length
- 90° or 180° knob rotation (clockwise or counter-clockwise)
- Adapts to multiple door thickness
- Visual and audible indicators
- Available with advanced features*
 - Mobile app management
 - Audit trail
 - Advanced auto unlock feature
 - Advanced system tools

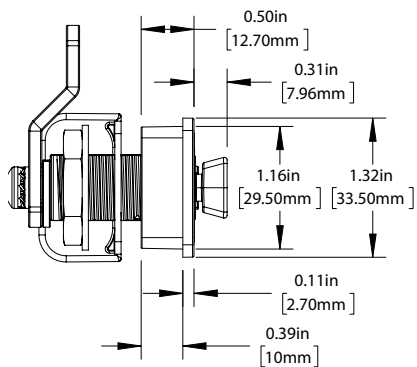


*Requires Mobile App Kit

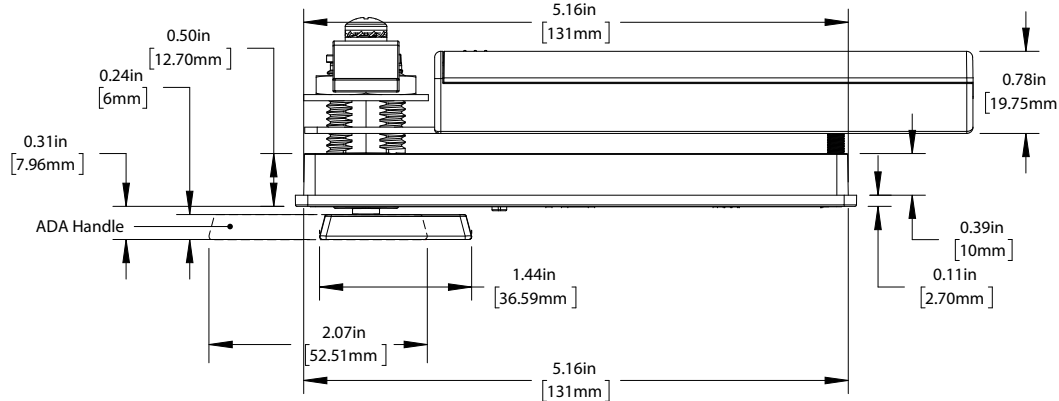


- IP55 rated, FCC, CE, and CI certified
- ADA compliant models available
- Powered by 4 premium AA batteries
- Battery Life: 115,000 cycles with average use
- 2 year warranty

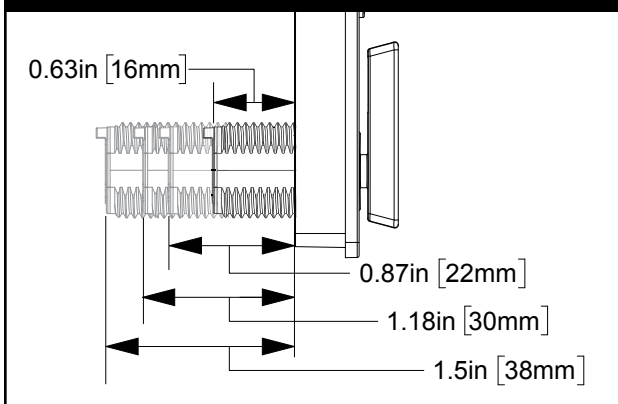
Side View



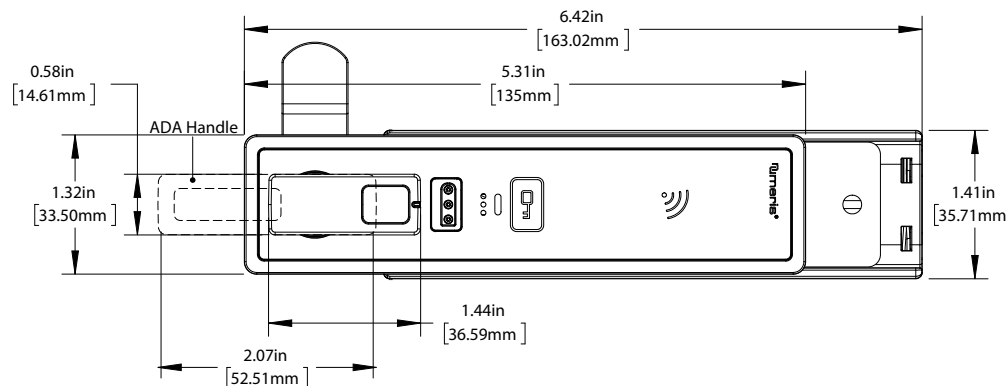
Top View



Cylinder Length

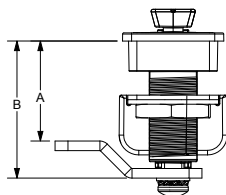


Front View



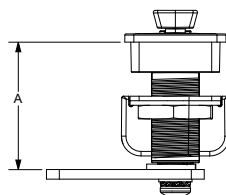
Cam Options

Offset Cam



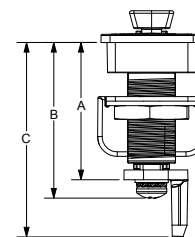
	16MM CYLINDER	22MM CYLINDER	30MM CYLINDER	38MM CYLINDER
A	0.74in (18.92mm)	0.98in (24.92mm)	1.30in (32.92mm)	1.61in (40.92mm)
B	1.23in (31.18mm)	1.46in (37.18mm)	1.78in (45.18mm)	2.09in (53.18mm)

Flat Cam



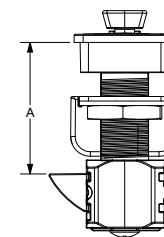
	16MM CYLINDER	22MM CYLINDER	30MM CYLINDER	38MM CYLINDER
A	1.10in (28mm)	1.34in (34mm)	1.65in (42mm)	1.97in (50mm)

Lifter Cam



	16MM CYLINDER	22MM CYLINDER	30MM CYLINDER	38MM CYLINDER
A	1.23in (31.25mm)	1.47in (37.25mm)	1.78in (45.25mm)	2.10in (53.25mm)
B	1.47in (37.25mm)	1.70in (43.25mm)	2.02in (51.25mm)	2.33in (59.25mm)
C	1.97in (50.16mm)	2.20in (56.16mm)	2.53in (64.16mm)	2.84in (72.16mm)

Slam Latch



	16MM CYLINDER	22MM CYLINDER	30MM CYLINDER	38MM CYLINDER
A	1.16in (29.5mm)	1.4in (35.5mm)	1.71in (43.5mm)	2.03in (51.5mm)