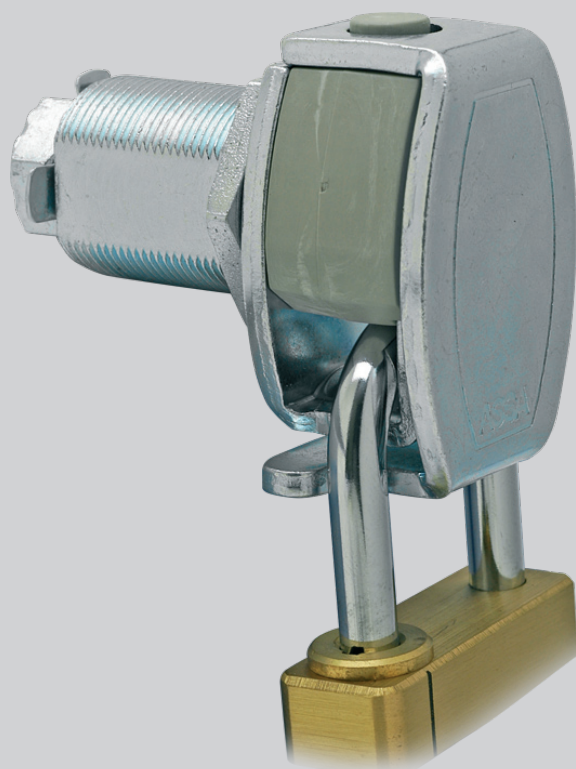


ASSA Locker Hasp

Locker Hasp



Performance

Locker hasp for material thickness up to 22 mm. Housing and core of zinc plated steel, locking device for extra safety of composite. Large selection of 3 mm thick catches.

Function

In locked position the padlock stops the catch from turning. When the padlock is removed the catch can be turned 90° and the locker can be opened. Right hand turning as standard and left hand is available on request.

ASSA[®]

ASSA ABLOY

ASSA ABLOY, the global leader
in door opening solutions.

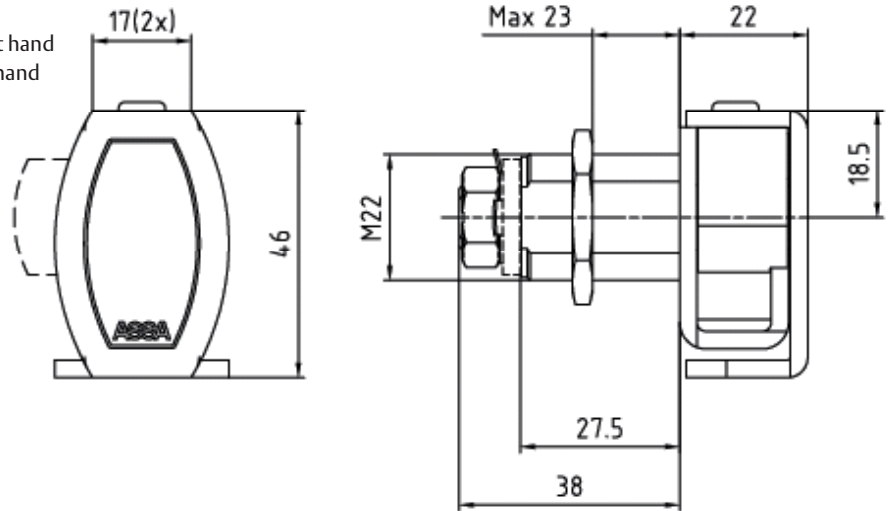
**NORMAL
SECURITY**

ASSA Locker Hasp

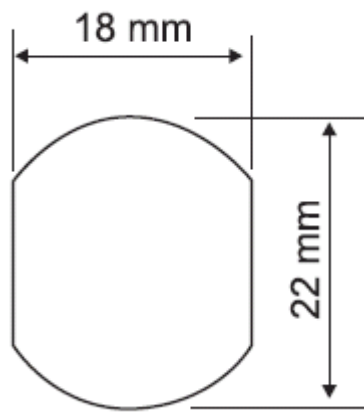
Locker Hasp

Dimension (mm)

492831 000 057 Right hand
492832 000 057 Left hand



Hole preparation



ASSA®

ASSA ABLOY

ASSA ABLOY, the global leader in door opening solutions, dedicated to satisfying end-user needs for security, safety and convenience.

ASSA OEM AB
P.O. Box 371
SE-631 05 Eskilstuna
Sweden

phone +46 (0)16 17 70 00
fax +46 (0)16 17 74 51

Customer support:
phone +46 (0)16 17 79 50
fax +46 (0)16 17 70 18
e-mail: csg@assaoem.se

www.assa.se

Included in part no: 390559 000 011

Part	Part no.	Material	Finish
Large nut	490610 000 057	Steel	Zink plated
Small nut	491439 000 057	Steel	Zink plated
Locking washer	490246 000 057	Steel	Zink plated

Notes

Cylinder housing: Zink plated steel
Core: Zink plated steel
Accessories, see data sheet "Accessories"
Catches, see data sheet "Catches"
Spare parts, see data sheet "Spare parts"