

# ASSA 8450

Cam Lock



## Performance

5-pin heavy duty cylinder lock for material thickness up to 16 mm.

Cylinders and keys of nickel plated brass. Large selection of 3 mm thick catches. Can be master keyed.

## Function

The key turns 90° and can only be removed when the catch is in the locked position.

Right hand turning as standard and left hand is available on request.

**ASSA**<sup>®</sup>  
ASSA ABLOY

ASSA ABLOY, the global leader  
in door opening solutions.

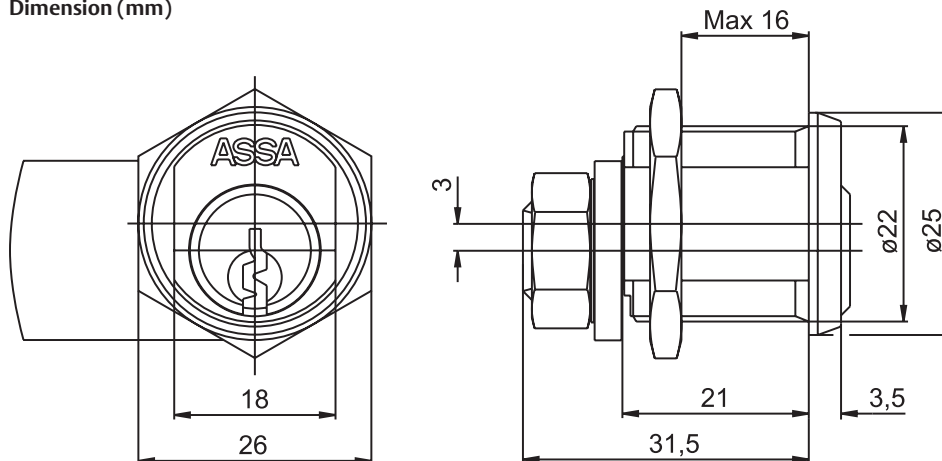
NORMAL  
SECURITY



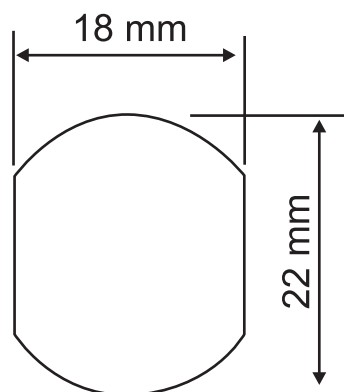
# ASSA 8450

## Cam Lock

Dimension (mm)



Hole preparation



ASSA ABLOY, the global leader  
in door opening solutions,  
dedicated to satisfying end-user  
needs for security, safety and  
convenience.

ASSA OEM AB  
P.O. Box 371  
SE-631 05 Eskilstuna  
Sweden

phone +46 (0)16 17 70 00  
fax +46 (0)16 17 74 51

Customer support:  
phone +46 (0)16 17 79 50  
fax +46 (0)16 17 70 18  
e-mail: [csg@assaoem.se](mailto:csg@assaoem.se)

[www.assa.se](http://www.assa.se)

Included in part no: 492040 000 002

Part	Part no	Material	Finish
Keys (2 pieces)	491155 000 002	Brass	Nickel plated
Large nut	490610 000 057	Steel	Zinc plated
Small nut	491439 000 057	Steel	Zinc plated
Stop washer	492069 000 002	Brass	Nickel plated
Locking washer	490246 000 057	Steel	Zinc plated

### Notes

Cylinder house: Nickel plated brass

Cylinder: Brass

Accessories see data sheet "Accessories"

Catches see data sheet "Catches"

Spare parts see data sheet "Spare Parts"