

**MECHANICAL**

**4 DIAL  
COMBINATION LOCK**



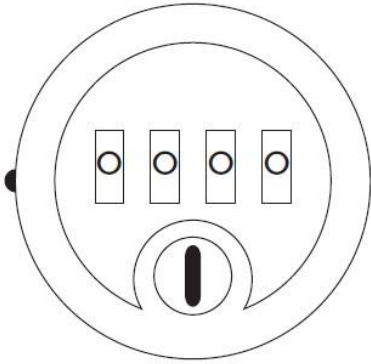
**INSTRUCTIONS**

Popular Finishes:  
BLACK or WHITE

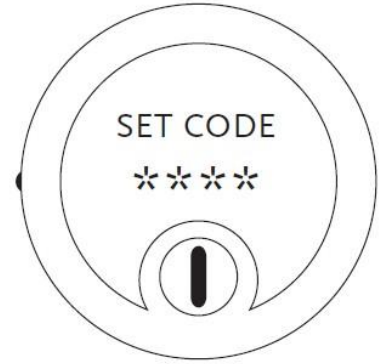
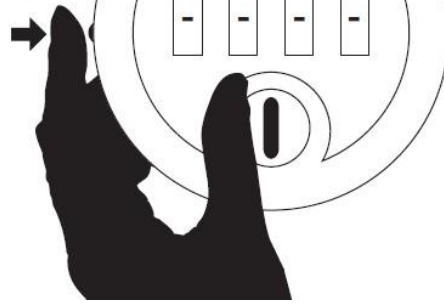


Other finishes are available if they reach our Minimum Order Requirements.

Please contact our sales office for more details



PRESS  
& HOLD



RELEASE



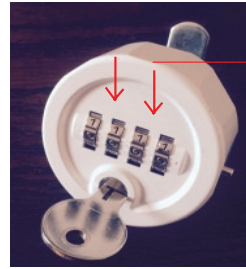
SCRAMBLE  
CODE



# RESETTING LOST CODES

## STEP 1

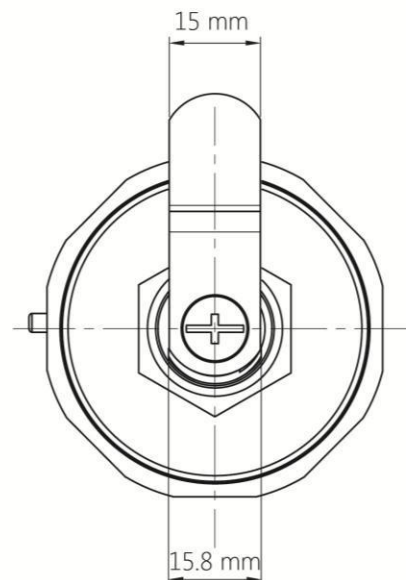
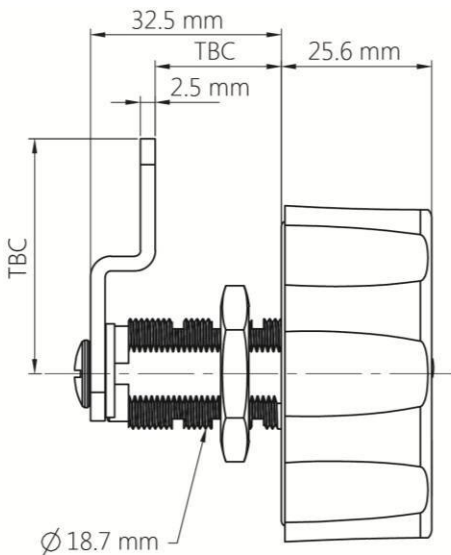
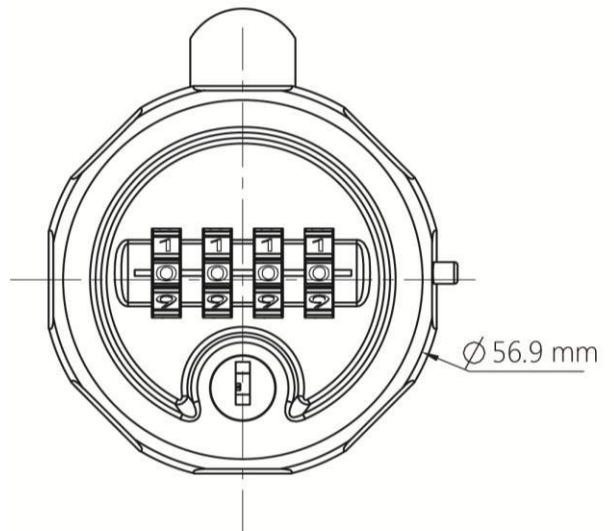
Insert the master key and turn it 90 degrees to the right.



Turn dials downwards

## STEP 2

The lock is now open, with the lock and key in this position spin the dials downwards. The dials will stick when they get to the correct number, when all 4 dials have stuck the number on display is the code for the lock. You must push the dials downwards, top to bottom for this to work. You can now reset the code by following the steps outlined above.



Punch Hole Profile

