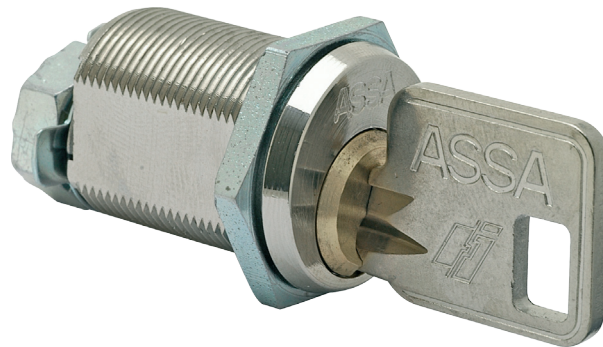


# Cam lock 10460

NORMAL  
SECURITY



## Performance

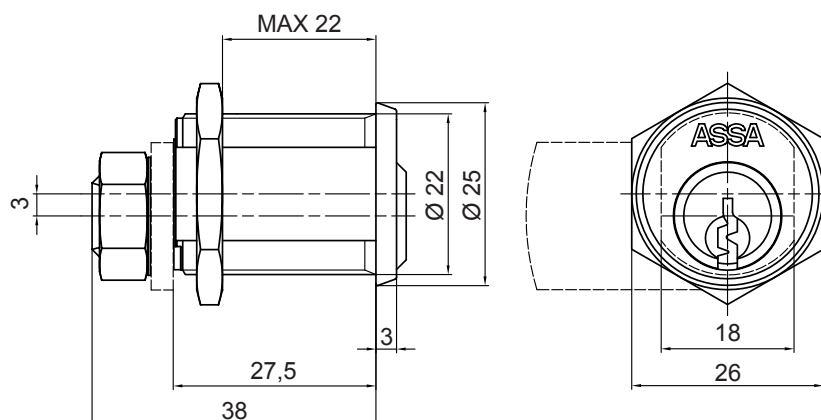
6-pin heavy duty cylinder lock for material thickness up to 22 mm. Cylinders and keys of nickel plated brass. Large selection of 3 mm thick catches. Can be master keyed.

## Function

The key turns 90° and can only be removed in when the catch is in the locked position. Right hand turning as standard and left hand is available on request.

## Dimensions

Part Number: 492342 000 002 With keys  
492343 000 002 Without key

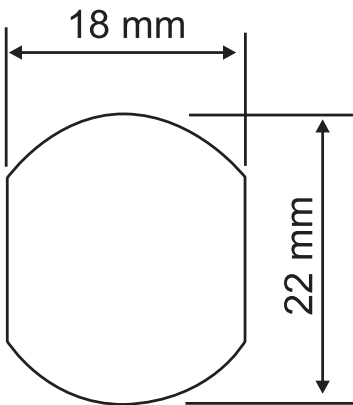


**ASSA**<sup>®</sup>

# Cam lock 10460


 NORMAL  
SECURITY

## Hole Preparation



### Included in part no: 492815 000 002

Part	Part no	Material	Finish
2 keys	491243 001 002	Brass	Nickel plated
Large nut	490610 000 057	Steel	Zinc plated
Small nut	491439 000 057	Steel	Zinc plated
Stop washer	492795 000 002	Brass	Nickel plated
Locking washer	490246 000 057	Steel	Zinc plated

### Notes

Catch Preparation:

- Locking up or down = horizontal hole in catch.
- Locking right or left = vertical hole in catch.

Cylinder house: Nickel plated brass

Cylinder: Brass

Accessories see data sheet "Accessories"

Catches see data sheet "Catches"

Spare parts see data sheet "Spare Parts"

# ASSA<sup>®</sup>

An ASSA ABLOY Group company

**ASSA ABLOY**

Sweden: Assa AB, P.O. Box 371, SE-631 05 Eskilstuna  
 Phone +46 (0)16 17 70 00, fax +46 (0)16 17 72 10, www.assa.se  
 Helpdesk: phone +46 (0)16 17 71 00, fax +46 (0)16 17 73 72, e-mail helpdesk@assa.se