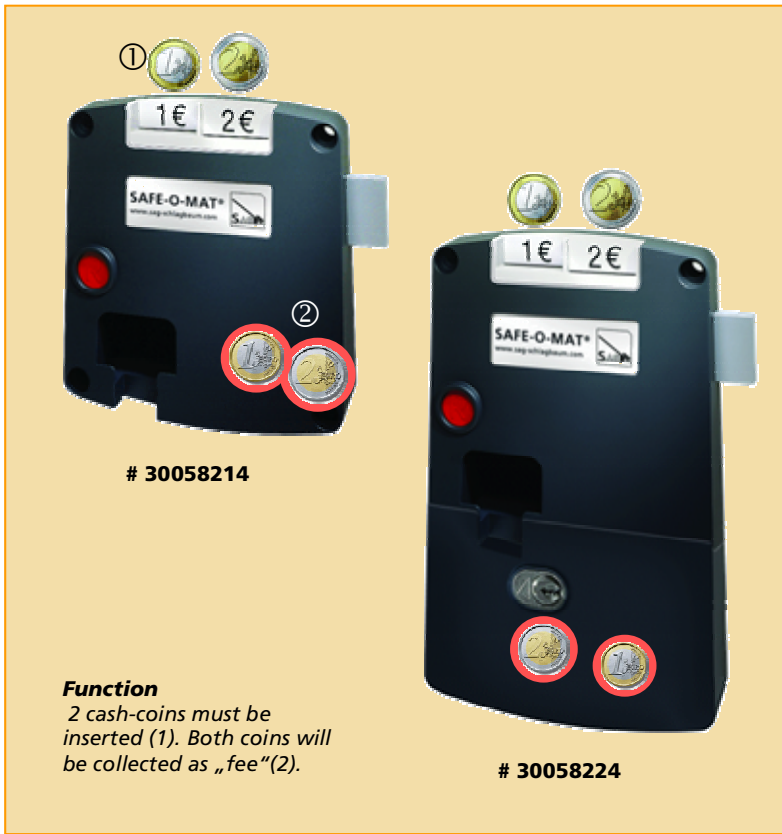


More Income / Profit:

SAFE-O-MAT® *twin-coin* Coin Collect Lock with 2-coin-insertion



Function
2 cash-coins must be inserted (1). Both coins will be collected as „fee“(2).

30058224

Collect 2 coins per Locker operation

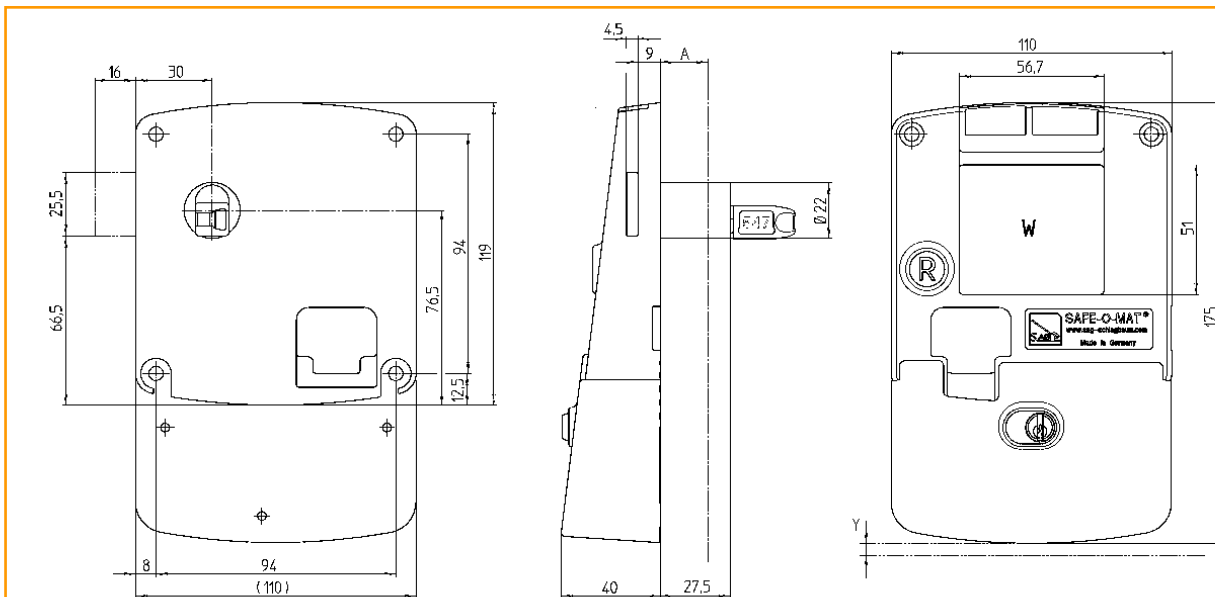
A cash amount higher than e.g. £2.00 or 2.00 was until now impossible in a self service locker
With the SAFE-O-MAT® *twin-coin* Coin Collect Lock this is now available
You MUST insert 2 coins which can lead to cash amount up to i.e. £4.00.

Higher cash amounts for higher profit!

- **Higher Fees**
SAFE-O-MAT® Coin Collect Lock with 2-coin-insertion makes charging higher fees possible
- **For each requirement the right cash box solution**
With the **integrated compact cash box** ideally suited to smaller lockers- or safes.
Easily to open via a special tool. This model is also suitable for occasional locker usage or when the cash box will be cleared more often.
With **large-size cash box** suitable for more frequent locker use or less frequent cash box clearing.
The cash box is secured by a cylinder.

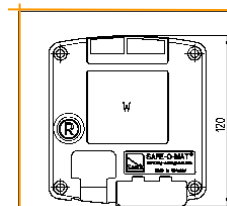
SAFE-O-MAT® *twin-coin* Coin Collect Lock / obligatory insertion of two coins

Sketch



- Right handed version = above drawing
Left handed version = reflected
- Recommended diameter of cylinder hole: Ø23mm
- Fastening material, e.g. flat head screw M5x20 DIN 996
- Installation instructions on request

- A** = Maximum door thickness 26 mm
- W** = Space for publicity
- Y** = Free space for opening of cashbox 5 mm



PROMAX-Cylinder-Control-Function for visible Emergency Openings

If a user key is lost the Promax Control key will cause the cylinder to be ejected. The cylinder can only be reinserted with the correct user key

- Protects staff from unjustified suspicions
- Protects the management from assumption of liability
- Protects the user of the locker from hidden thefts

Quick Cylinder Exchange

In case of key loss the cylinders can be exchanged for new ones within seconds and without any additional tools.

Fast help in case of manipulation attempts

Cylinder Key Way and Coin Key Way ensure a fast removal of small parts or incorrect coins.

Quality for a lifetime

- SAFE-O-MAT® *twin-coin* locks and keys are completely **non-corrosive**.
- The user key is protected from breakages by a special plastic key handle which avoids injuries and damage to other equipment.

Efficient Key-Logistics

- Number plates from the set can be easily clipped into the prepared key handle without additional tools.
- High flexibility of the numbering and organisation of spare keys.

